

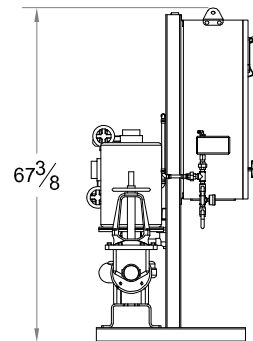
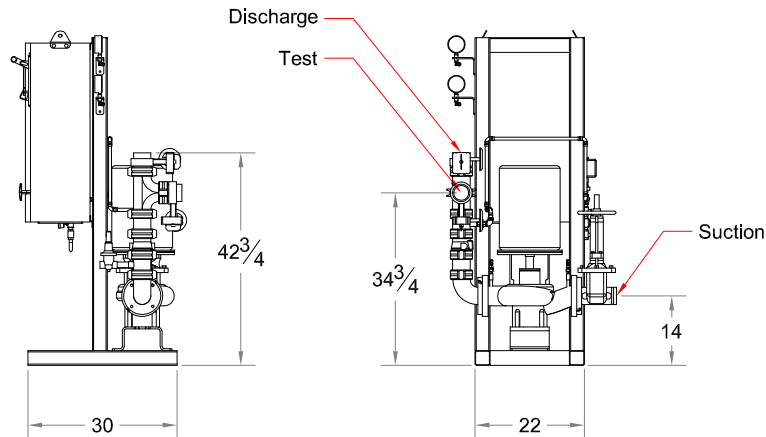
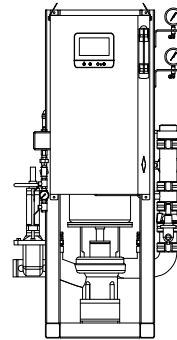
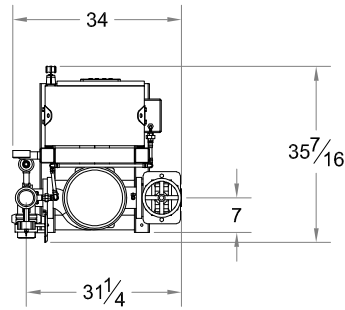
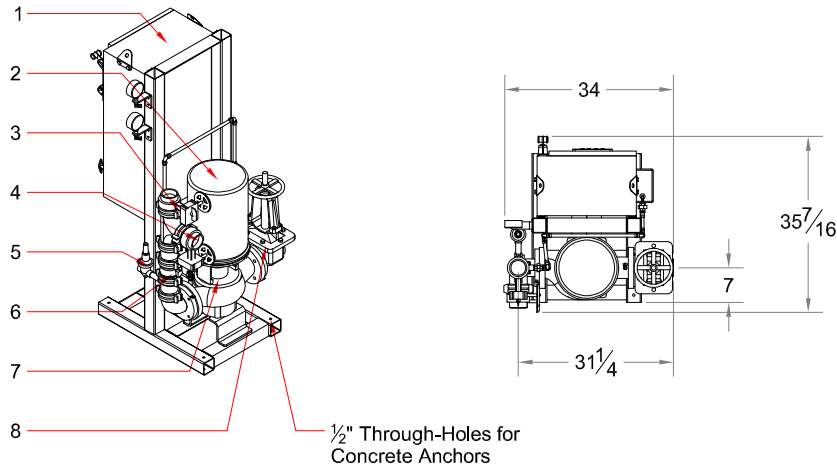


## NFPA-20 Fire Pump

3-383-7A

# ULV-150

Compact Residential Package  
 Design Condition: 150GPM @ 60PSI



### System Components per NFPA-20

#### System Specifications:

- Motor
- 10 Horsepower Electric
- 230 Volt, 46 Amp
- Single Phase
- 3450 RPM

#### Pump

- UL Vertical Inline Fire Pump
- 3" Suction (Grooved)
- 3" Discharge (Grooved)
- 3" Test Connection (Grooved)
- 175 PSI max working pressure

#### System Components (UL Listed by Manufacturer)

- 1- Limited Service Fire Pump Controller
- 2- Electric Motor (UL Recognized)
- 3- Discharge Butterfly Valve (Monitored)
- 4- Test Connection Butterfly Valve (Monitored)
- 5- Case Relief Valve
- 6- Check Valve
- 7- Vertical Inline Fire Pump
- 8- Suction OS&Y (Monitored)

#### Dimensions

- 36" Depth
- 68" Height
- 34" Width

\*All dimensions are approximate and subject to change without notice.