

LSF-75A

NFPA-13D Residential Package

Maximum Suction Pressure: 94PSI

System Specifications

Motor

- 3/4 Horsepower Electric
- 240 Volt, 7.9 Amp
- Single Phase
- 3450

Pump

- 316 Series Stainless Steel Volute
- Stainless Steel Impeller
- 1 1/4" Suction
- 1 1/4" Discharge
- 125 PSI Max Working Pressure

Discharge Manifold

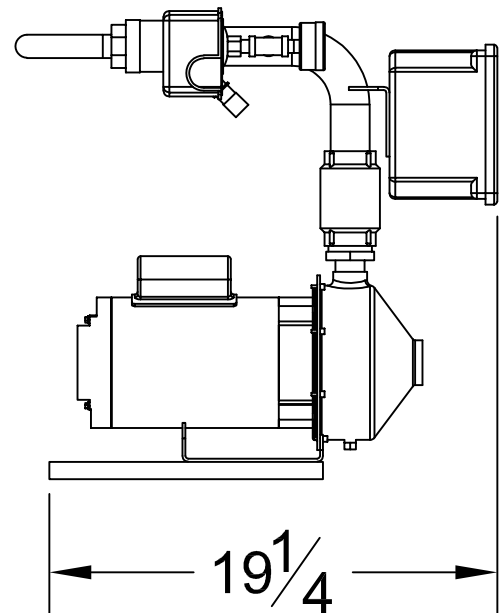
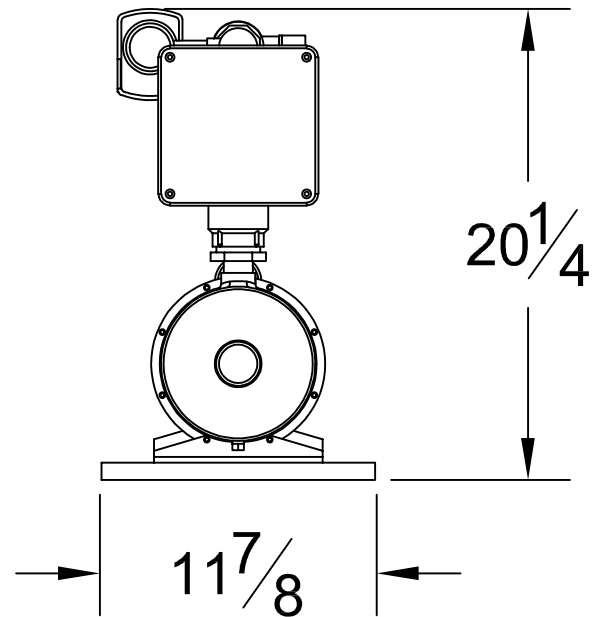
- Check Valve
- Zero to 100 PSI Pressure Gauge
- 30/50 Pressure Switch
- Isolation Ball Valve

Controls

- 240 Volt
- Minimum Run Timer
- Pressure Switch Operated Contactor
- HOA Toggle Switch (Hand, Off, Auto)

Dimensions (Approximate)

- 20" Length
- 21" Height
- 12" Width
- 37 Pounds



Performance

| | | | | | |
|-----|----|----|----|----|----|
| GPM | 0 | 25 | 30 | 35 | 40 |
| PSI | 31 | 28 | 25 | 22 | 20 |

Performance values based on multiple pump tests. Not for certification purposes.