

HOME HYDRANT

NFPA-13D Packaged Residential Fire Pump & Tank

U.S. Patents #8,678,032 & 8,905,069

HH3-150C

350 Gallon Water Tank

- ① Tank Drain 1/2"(GHT)
- ② Overflow Fitting 1"(NPT)
- ③ Auto-Fill Valve 3/4"(NPT)

1.5HP Electric Motor

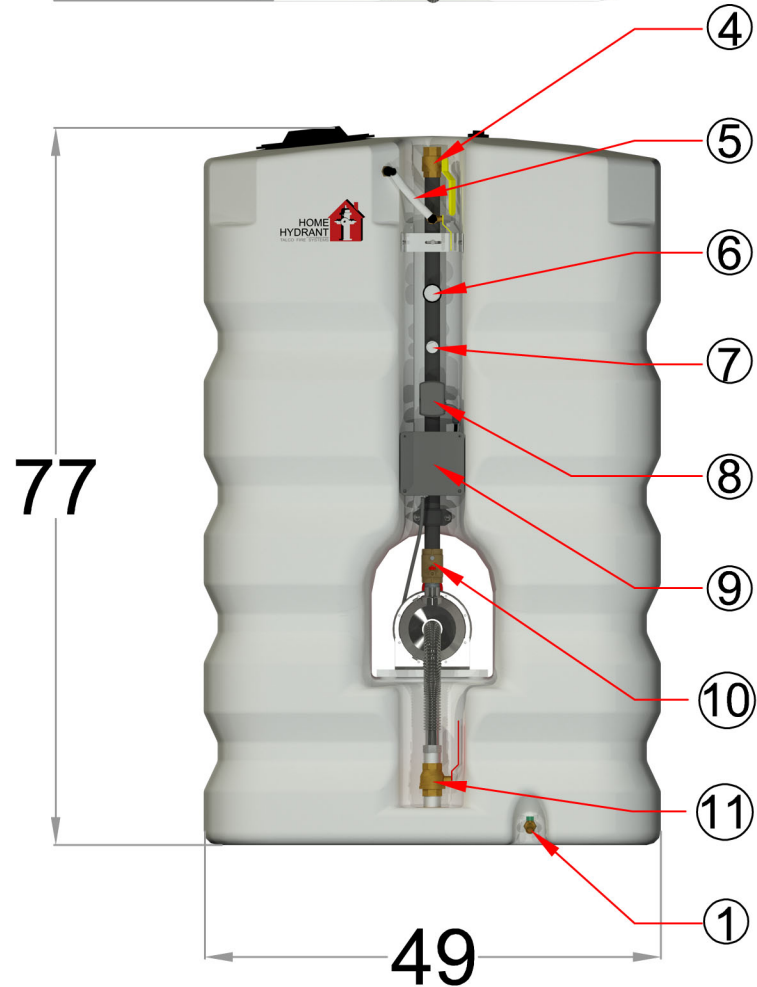
240 Volt Single-Phase

7.5 Amp (Full Load)

1 1/4" Discharge (NPT)

Smart Riser Control System

- ④ Isolation Ball Valve
- ⑤ Test Line/System Drain
- ⑥ Pressure Gauge
- ⑦ Flow Switch (Optional)
- ⑧ Pressure Switch
- ⑨ Run-Time Controller
- ⑩ Discharge Check Valve
- ⑪ Suction Shut-off Valve



Performance

GPM	0	20	25	30	35	40
PSI	47	45	44	43	41	40

Performance values based on multiple pump tests. Not for certification purposes.