

HOME HYDRANT

NFPA-13D Packaged Residential Fire Pump & Tank

U.S. Patents #8,678,032 & 8,905,069

HH2-300C

250 Gallon Water Tank

- ① Tank Drain 1/2"(GHT)
- ② Overflow Fitting 1"(FNPT)
- ③ Auto-Fill Valve 3/4"(FNPT)

3HP Electric Motor

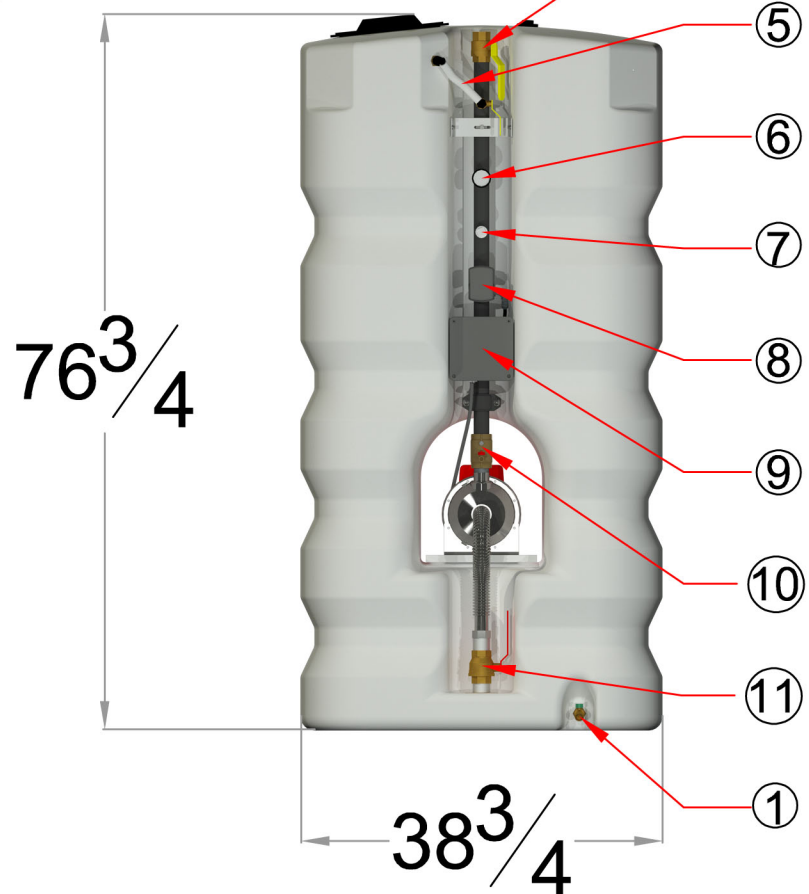
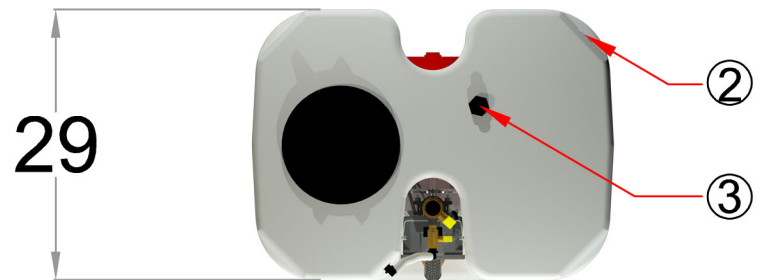
240 Volt Single-Phase

13 Amp (Full Load)

1 1/4" Discharge (FNPT)

Smart Riser Control System

- ④ Isolation Ball Valve
- ⑤ Test Line/System Drain
- ⑥ Pressure Gauge
- ⑦ Flow Switch (Optional)
- ⑧ Pressure Switch
- ⑨ Run-Time Controller
- ⑩ Discharge Check Valve
- ⑪ Suction Shut-off Valve



Performance

Performance values based on multiple pump tests. Not for certification purposes.

| | | | | | | | | |
|-----|----|----|----|----|----|----|----|----|
| GPM | 0 | 25 | 30 | 35 | 40 | 45 | 50 | 55 |
| PSI | 59 | 57 | 55 | 54 | 53 | 51 | 50 | 49 |