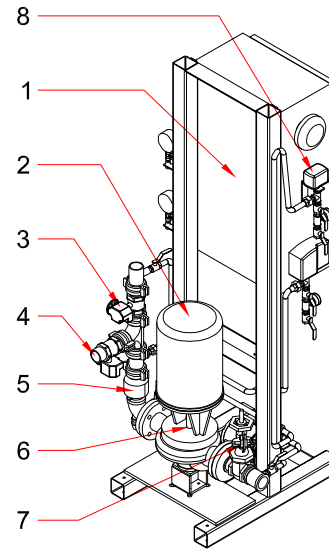
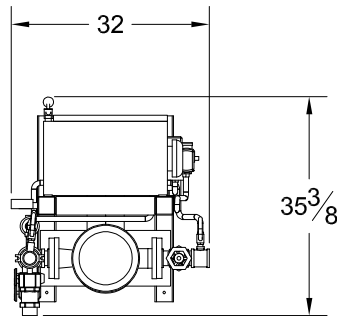


NFPA13R Packaged Fire Pump System  
UL/FM Fire Pump  
with Jockey Pump

## 13-ULV50-R

Compact Residential Package  
Design Condition: 50GPM @ 60PSI



**System Specifications:**

**Motor**

- 7.5 Horsepower Electric
- 230 Volt, 34.6 Amp
- Single Phase
- 3450 RPM

**Pump**

- UL/FM Vertical Inline Fire Pump
- 2" Suction (FNPT)
- 2" Discharge (Grooved)
- 175 PSI max working pressure

**System Components (UL Listed by Manufacturer)**

- 1- Limited Service Fire Pump Controller
- 2- Electric Motor
- 3- Discharge Monitored Ball Valve
- 4- Test Connection Monitored Ball Valve
- 5- Check Valve
- 6- Vertical Inline Fire Pump
- 7- Suction OS&Y
- 8- Pressure Switch (Jockey Control)

**(All Dimensions Are Approximate)**

- 36" Depth
- 78" Height
- 32" Width

