

LSF-200A

NFPA-13D Residential Package

Maximum Suction Pressure: 55PSI

System Specifications

Motor

- 2 Horsepower Electric
- 240 Volt, 10.9 Amp
- Single Phase
- 3450

Pump

- 316 Series Stainless Steel Volute
- Stainless Steel Impeller
- 1 1/4" Suction
- 1 1/4" Discharge
- 125 PSI Max Working Pressure

Discharge Manifold

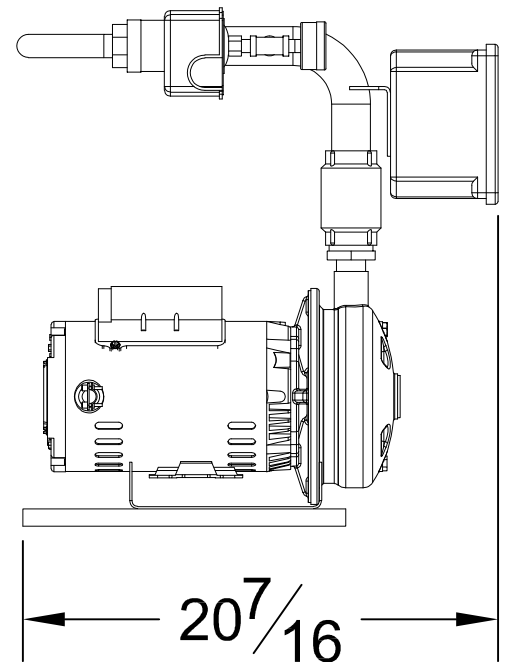
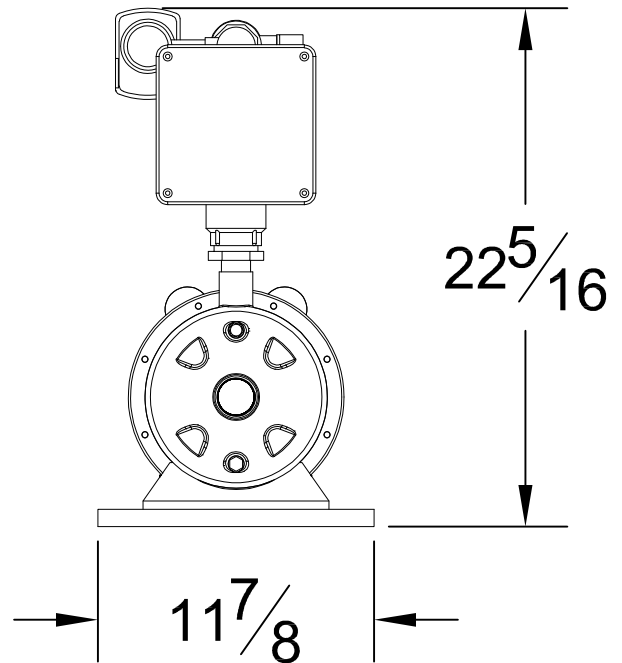
- Check Valve
- Zero to 100 PSI Pressure Gauge
- 40/60 Pressure Switch
- Isolation Ball Valve

Controls

- 240 Volt
- Minimum Run Timer
- Pressure Switch Operated Contactor
- HOA Toggle Switch (Hand, Off, Auto)

Dimensions (Approximate)

- 20 7/16" Length
- 22 5/16" Height
- 11 7/8" Width
- 81 Pounds



Performance

Performance values based on multiple pump tests. Not for certification purposes.

GPM	0	25	30	35	40	45	50
PSI	67	54	50	47	43	39	35