

LSF-150C

NFPA-13D Residential Package

Maximum Suction Pressure: 74PSI

System Specifications

Motor

- 1.5 Horsepower Electric
- 240 Volt, 8.1 Amp
- Single Phase
- 3450

Pump

- 316 Series Stainless Steel Volute
- Stainless Steel Impeller
- 1 1/2" Suction
- 1 1/4" Discharge
- 125 PSI Max Working Pressure

Discharge Manifold

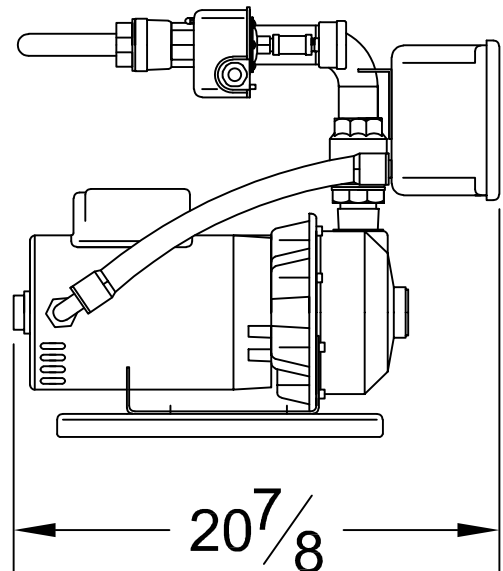
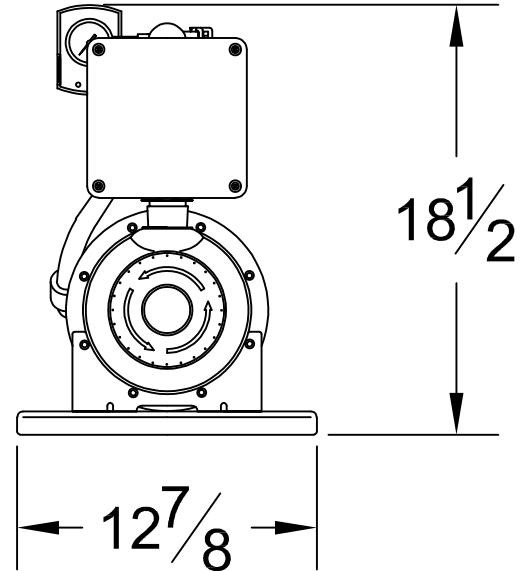
- Check Valve
- Zero to 100 PSI Pressure Gauge
- 30/50 Pressure Switch
- Isolation Ball Valve

Controls

- 240 Volt
- Minimum Run Timer
- Pressure Switch Operated Contactor
- HOA Toggle Switch (Hand, Off, Auto)

Dimensions (Approximate)

- 20 7/8" Length
- 18 1/2" Height
- 12 7/8" Width
- 65 Pounds



Performance

Performance values based on multiple pump tests. Not for certification purposes.

GPM	0	20	25	30	35	40
PSI	47	45	44	43	41	40