

Talco Fire Systems

Residential & Commercial Packaged Fire Pump Specialists

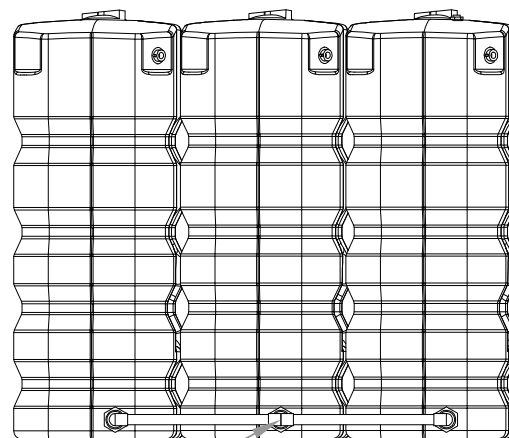
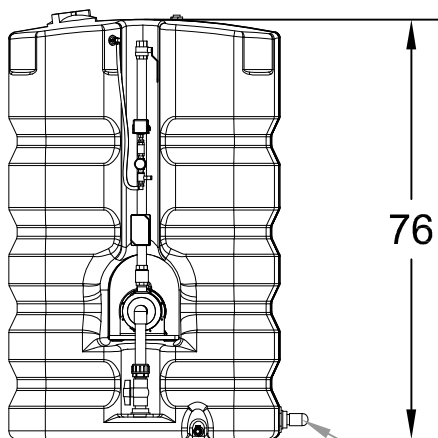
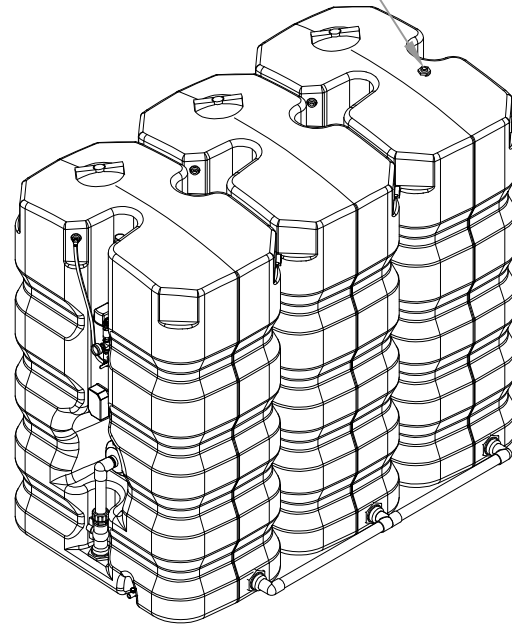
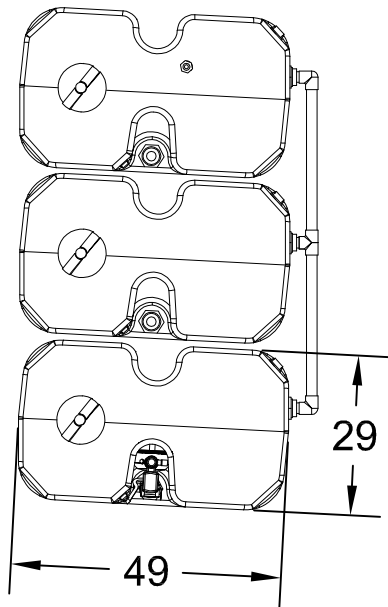
Portland, Oregon

HOME HYDRANT

NFPA-13D Packaged Residential Fire Pump & Tank

ADD TANK ARRANGEMENTS
BACK TO BACK

Auto-fill Valve



1-1/2" Suction Fittings