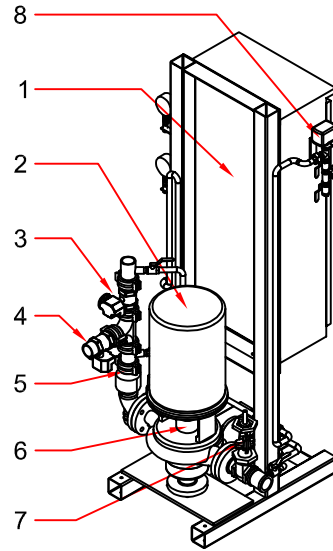
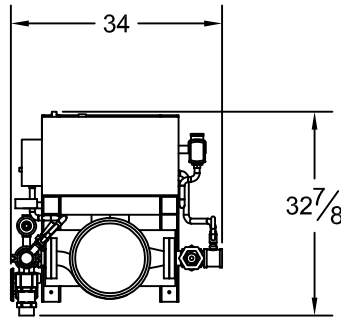


NFPA13R Packaged Fire Pump System  
 UL/FM Fire Pump  
 with Jockey Pump

## 13-ULV50

Compact Residential Package  
 Design Condition: 50GPM @ 85PSI



**System Specifications:**

- Motor**
- 10 Horsepower Electric
  - 230 Volt, 46 Amp
  - Single Phase
  - 3450 RPM

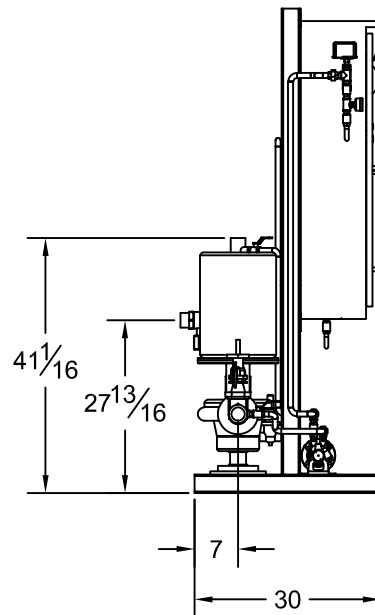
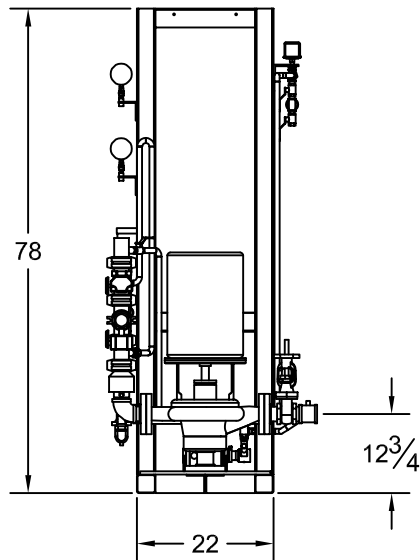
- Pump**
- UL/FM Vertical Inline Fire Pump
  - 2" Suction (FNPT)
  - 2" Discharge (Grooved)
  - 175 PSI max working pressure

**System Components (UL Listed by Manufacturer)**

- 1- Limited Service Fire Pump Controller
- 2- Electric Motor (UL Recognized)
- 3- Discharge Butterfly Valve (Monitored)
- 4- Test Connection Butterfly Valve (Monitored)
- 5- Check Valve
- 6- Vertical Inline Fire Pump
- 7- Suction OS&Y (Monitored)
- 8- Pressure Switch (Jockey Control)

**Dimensions**

- 33" Depth
- 78" Height
- 34" Width



\*All dimensions are approximate and subject to change without notice.