



# 13-ULV100-R

**100GPM Fire Pump Package**

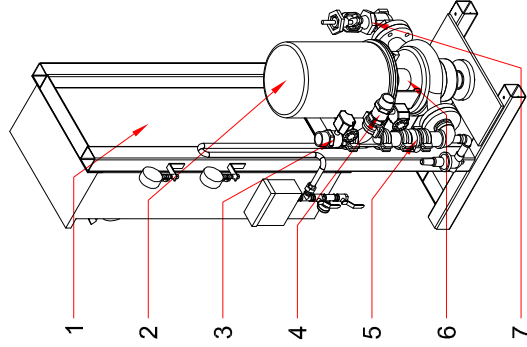
**Submittal Packet**

## NFPA13R Packaged Fire Pump System UL/FM Fire Pump



# 13-ULV100-R

Compact Residential Package  
Design Condition: 100GPM @ 80PSI



### System Specifications:

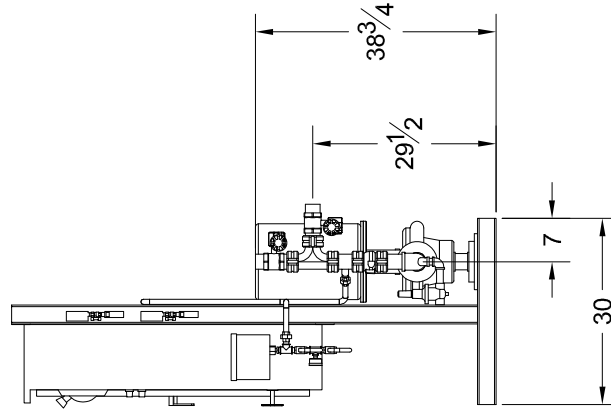
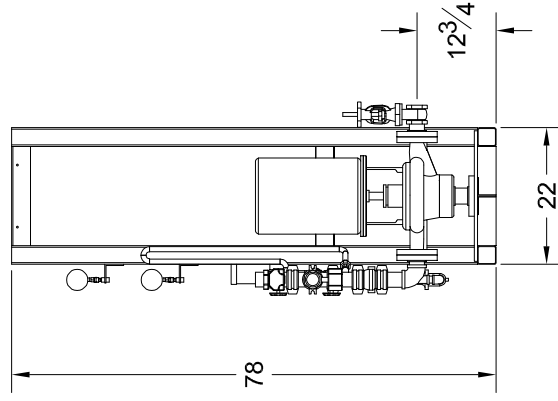
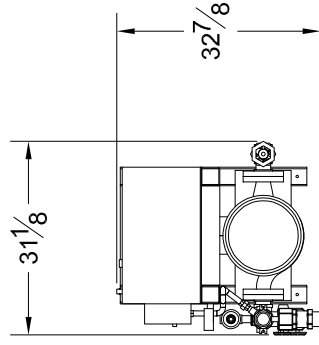
- Motor**
- 10 Horsepower Electric
  - 230 Volt, 46 Amp
  - Single Phase
  - 3450 RPM
- Pump**
- UL/FM Vertical Inline Fire Pump
  - 2" Suction (FNPT)
  - 2" Discharge (Grooved)
  - 175 PSI max working pressure

### System Components (UL Listed by Manufacturer)

- 1- Limited Service Fire Pump Controller
- 2- Electric Motor
- 3- Discharge Monitored Ball Valve
- 4- Test Connection Monitored Ball Valve
- 5- Check Valve
- 6- Vertical Inline Fire Pump
- 7- Suction OS&Y

### Dimensions (Approximate)

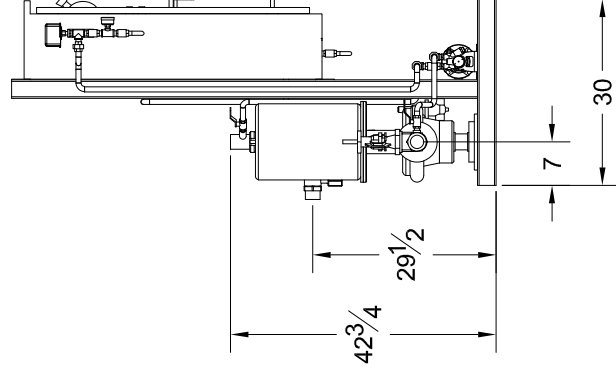
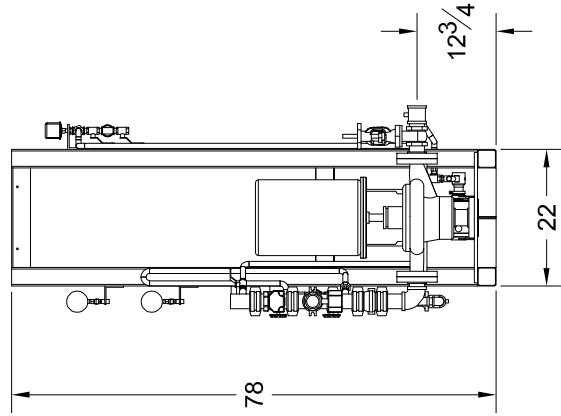
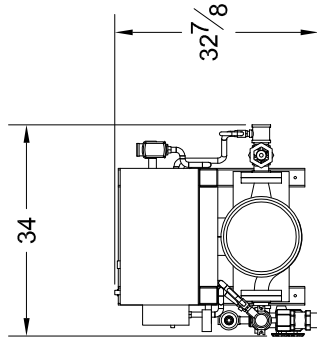
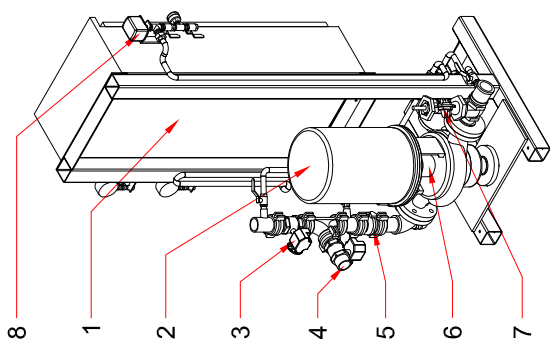
- 33" Depth
- 78" Height
- 32" Width



## NFPA13R Packaged Fire Pump System UL/FM Fire Pump with Jockey Pump

# 13-ULV100

Compact Residential Package  
 Design Condition: 100GPM @ 80PSI



### System Specifications:

#### Motor

- 10 Horsepower Electric
- 230 Volt, 46 Amp
- Single Phase
- 3450 RPM

#### Pump

- UL/FM Vertical Inline Fire Pump
- 2" Suction (FNPT)
- 2" Discharge (Grooved)
- 175 PSI max working pressure

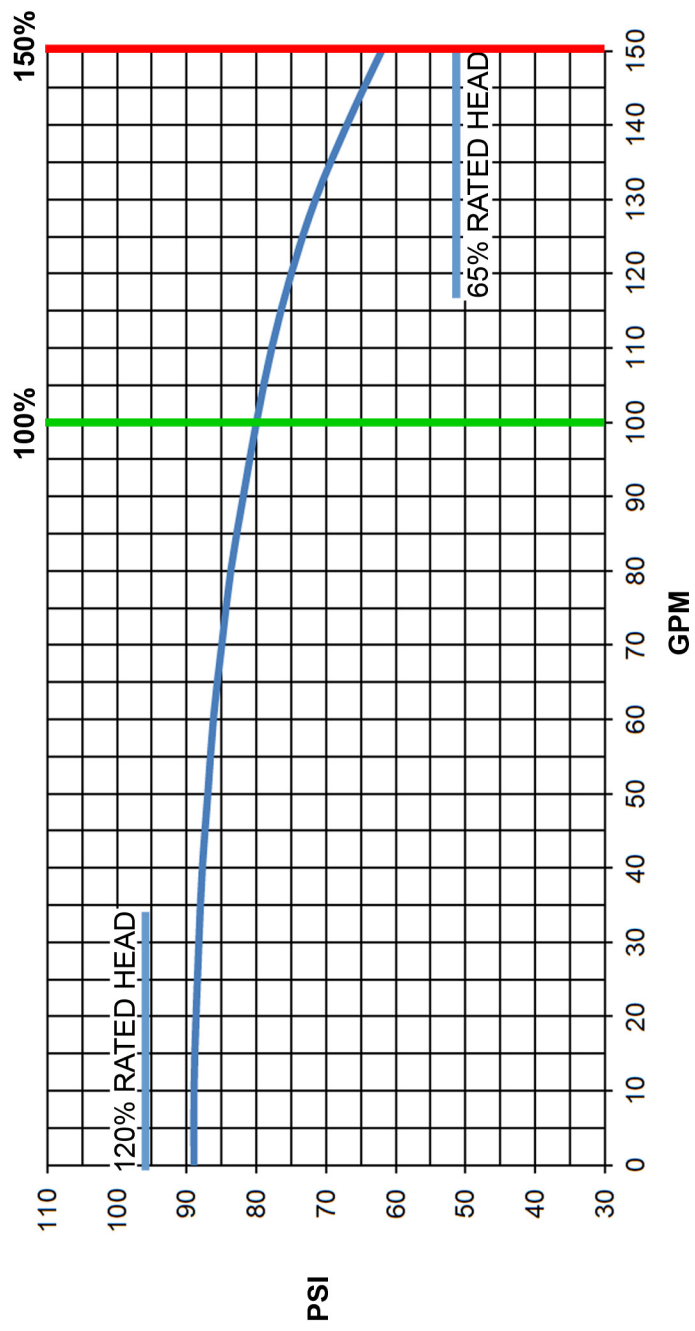
### System Components (UL Listed by Manufacturer)

- 1- Limited Service Fire Pump Controller
- 2- Electric Motor
- 3- Discharge Monitored Ball Valve
- 4- Test Connection Monitored Ball Valve
- 5- Check Valve
- 6- Vertical Inline Fire Pump
- 7- Suction OS&Y
- 8- Pressure Switch (Jockey Control)

### Dimensions (Approximate)

- 33" Depth
- 78" Height
- 34" Width

# 13-JULV100 100GPM @ 80PSI 10HP UL/FM VERTICAL INLINE FIRE PUMP



**TALCO** FIRE  
SYSTEMS



RESIDENTIAL & COMMERCIAL FIRE PUMP SPECIALISTS

6040 NE 112TH AVE. PORTLAND, OREGON 97220

PHONE: 800-878-8055 WWW.TALCOFIRE.COM

# Fire Pump Controller

# Eaton EPCT Fire

Touchscreen based electric fire pump controllers



*Powering Business Worldwide*

## Product Description

The EPCT Fire features an advanced, 7" color touchscreen that incorporates both the fire pump controller (FPC) and automatic transfer switch (ATS) functionality into one, intuitive display.

Designed solely with the consumer in mind, the EPCT Fire enables technicians to commission the fire pump controller faster; troubleshooting is made easier and is more effective through the use on-screen history filtering and diagnostic monitoring.

All full-service fire pump controllers can be offered in either full-voltage or reduced voltages starting methods:

- FD/FT20 - Limited service
- FD/FT30 - Across-the-line
- FD/FT40 - Part winding
- FD/FT50 - Primary resistor
- FD/FT60 - Autotransformer
- FD/FT70 - WYE-Delta (Star-Delta) open transition
- FD/FT80 - WYE-Delta (Star-Delta) closed transition
- FD/FT90 - Soft start

## Product Features

### Touchscreen Display

#### General

Speed of commissioning, configuration and troubleshooting are more critical to businesses today more than ever. Through the use of a 7" touchscreen, users can easily program all site specific setpoints through an intuitive menu structure, view all critical system information, and troubleshoot quickly and accurately via on-screen diagnostics.

#### Automatic Transfer Switch Integration

Going away from the multiple screen approach, the EPCT Fire touchscreen integrates both the Fire Pump Controller and Automatic Transfer Switch into one display enabling the user to effectively manage programming and operation from one source.

#### Commissioning Simplified

The Startup tab features all controller related commissioning tasks such as: Quick Setup, Setup Phase Reversal, Flow Test, Manual/Automatic Starts, and Test Alarms.

#### UL Type Rating

The touchscreen display has been tested in accordance with UL and achieves a type 4X rating.

### Programming Menu

#### Startup tab

This tab system enables the user to complete all controller related commissioning tasks. Each sub-menu within the Startup tab guides the user through step-by-step, intuitive screens to quickly and effectively complete the startup and commissioning process.

#### Panel Setup tab

All variables relating to the panel, such as language, date and time, nominal voltage, etc., are located in the Panel Setup tab. For all programming points within the Panel Setup tab, refer to the instruction manual: MN124016EN.

#### Help tab

The help tab provides end users service contact information from the company that commissioned the unit (if programmed), factory contact information, and a QR code to download the instruction manual onto a mobile device.

#### Pressure Settings tab

Contains a variety of pressure settings that may be programmed to suit site requirements. Some key settings include: Start Pressure, Stop Pressure, Low Pressure Alarm, High Pressure Alarm, Low Suction Shutdown, Low Foam Shutdown, Pressure Units, and the ability to calibrate the transducer.

#### Timer Values tab

This tab system contains the programming point for all fire pump controller related timers. These timers are: Minimum Run Time, Acceleration Time, Sequential Start Time, Fail to Start Time, Fail to Stop Time, and Weekly Motor Test Timer.

#### ATS Settings tab (if equipped)

The ATS Settings tab will only be enabled on units equipped with an automatic transfer switch. Programming points within this tab only pertain to the operation of the transfer switch.

#### Alarm Setpoints tab

There are seven (7) programmable alarm points within this tab system: Phase Reversal, Phase Failure Alarm Setpoint, Motor Overload Setpoint, Transducer Fail Pump Start, Abort Motor Test on Low Voltage, Voltage Alarm Settings, and Frequency Alarm Settings.

#### Inputs/Outputs tab

The I/O board is capable of accepting ten (10) custom inputs that can be programmed for seventeen (17) predefined conditions. The output relays can be programmed for sixty-one (61) separate conditions. Additional relays can be added through the use of a single or multiple optional relay boards.

#### History/Statistics/Diagnostics tab

This tab system allows the customer/technician to view historical data, controller statistics, controller diagnostics, and startup information. To assist, the controller can filter for specific events or between certain dates to speed up troubleshooting.

### I/O Board

#### Power Supply

The redesigned I/O board is equipped with a full voltage power supply capable of accepting voltage inputs between 200-600VAC three phase, or 240VAC single phase.

#### Customer Input Connections

Connection terminals are provided at the top of the I/O board for external customer connections that can be programmed through the touchscreen display.

#### Output Relays

The I/O board features four (4), 250VAC, 8A, 2 Form-C relays designated for the following: Common Alarm, Power/Phase Failure, Phase Reversal, and Pump Run. Each relay socket has a surface mount LED to indicate the relay's coil status.

#### Optional Boards

The controller can accept up to four (4) additional option boards: optional relay board, MODBUS communication board, secondary 4-20mA device board, and an alarm board. The controller has provisions to allow future optional boards to be added with plug-and-play functionality.

## Other Components

### Drain Valve Solenoid

All full-service EPCT Fire controllers are equipped with a drain valve solenoid used for manual or automatic motor tests.

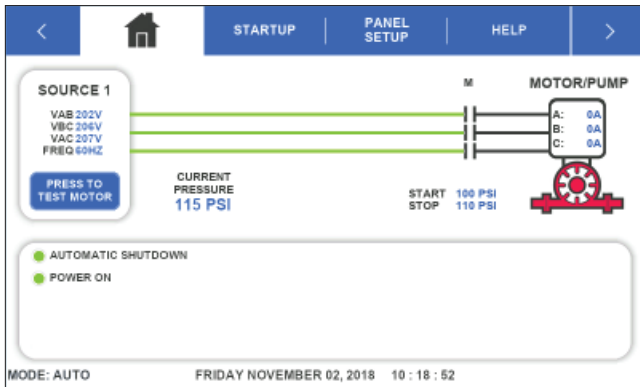
### External USB Port

The USB port allows the user to download historical messages, statistics, diagnostic information, startup file, and current controller configuration to any USB device with FAT16 or FAT 32 formatting.

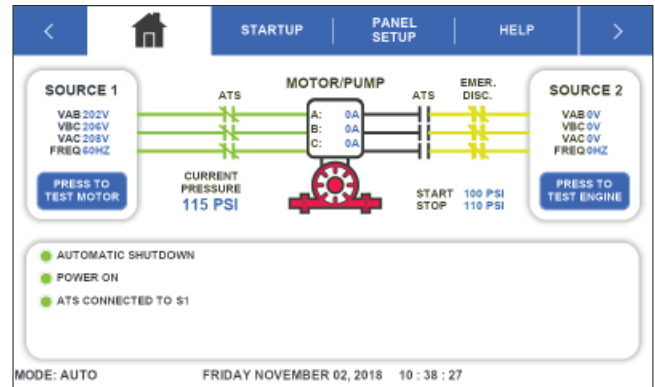
### Enclosures

The EPCT Fire controllers come standard with UL type 2 (drip-proof) enclosures. Optional enclosures are available and include: type 3, 3R, 4, 4X, and 12.

## Display Screens



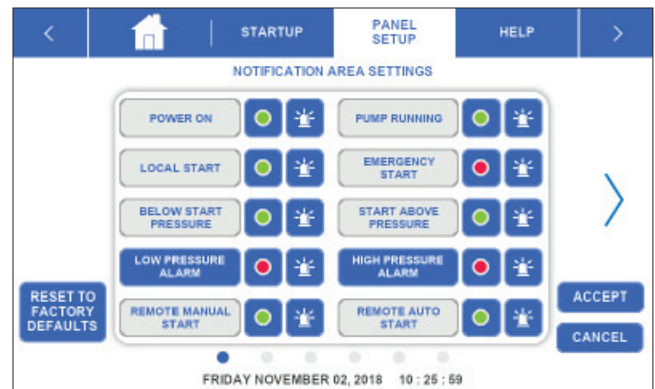
Home tab - without ATS



Home tab - with ATS



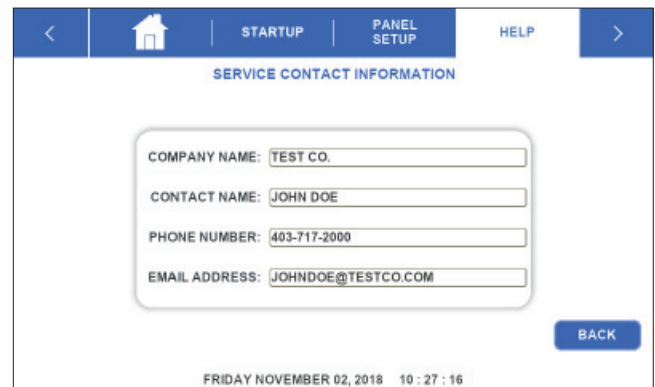
Common Alarm Settings



Notification Area Settings



Message History



Customer Service Contact

## Emergency Start Operator

A mechanically operated emergency start handle (ESH) will mechanically activate the motor contactor(s) independently from any electrical control circuits.

## Standards & Certifications

All EPCT Fire full-service, electric fire pump controllers meet or exceed the requirements of Underwriters Laboratories and Underwriters Laboratories Canada [UL218 and UL1008], Factory Mutual, the Canadian Standards Association, New York City building code, CE mark, U.B.C./C.B.C. seismic requirements, and are built to the latest edition of NFPA 20 standards. The EPCT Fire electric fire pump controllers are suitable for use as service entrance equipment - does not meet CEC requirements for Canada.



## Quick Specification Overview

| Starting Conditions  |                  |                  |                 |                   | Withstand Ratings |       |                                |
|--|------------------|------------------|-----------------|-------------------|-------------------|-------|--------------------------------|
| Starting Method  | Starting Voltage | Starting Current | Starting Torque | Motor Connections | Voltage           | HP    | Short Circuit Withstand Rating |
| FD/FT20<br>Limited Service                                 | Full             | 600%             | 100%            | 2 (SP) or 3       | 200-208V          | 5-30  | 25,000                         |
|  |                  |                  |                 |                   | 220-240V          | 5-30  | 25,000                         |
|  |                  |                  |                 |                   | 380-415V          | 5-30  | 25,000                         |
|  |                  |                  |                 |                   | 440-480V          | 5-30  | 25,000                         |
|  |                  |                  |                 |                   | 575-600V          | 5-30  | 18,000                         |
|  |                  |                  |                 |                   | 240V (SP)         | 5-15  | 10,000                         |
| FD/FT30<br>Across-the-Line                                 | Full             | 600%             | 100%            | 3                 | 200-208V          | 5-150 | 100,000                        |
|  |                  |                  |                 |                   | 220-240V          | 5-200 | 100,000                        |
|  |                  |                  |                 |                   | 380-415V          | 5-300 | 100,000                        |
|  |                  |                  |                 |                   | 440-480V          | 5-400 | 100,000                        |
|  |                  |                  |                 |                   | 575-600V          | 5-500 | 25,000                         |
| FD/FT40<br>Part Winding                                    | Reduced          | 65%              | 50%             | 6                 | 200-208V          | 5-250 | 100,000                        |
|  |                  |                  |                 |                   | 220-240V          | 5-300 | 100,000                        |
|  |                  |                  |                 |                   | 380-415V          | 5-500 | 100,000                        |
|  |                  |                  |                 |                   | 440-480V          | 5-600 | 100,000                        |
|  |                  |                  |                 |                   | 575-600V          | 5-700 | 25,000                         |
| FD/FT50<br>Primary Resistor                                | Reduced          | 50%              | 42%             | 3                 | 200-208V          | 5-150 | 100,000                        |
|  |                  |                  |                 |                   | 220-240V          | 5-200 | 100,000                        |
|  |                  |                  |                 |                   | 380-415V          | 5-300 | 100,000                        |
|  |                  |                  |                 |                   | 440-480V          | 5-400 | 100,000                        |
|  |                  |                  |                 |                   | 575-600V          | 5-500 | 25,000                         |
| FD/FT60<br>Autotransformer                                 | Reduced          | 45%              | 42%             | 3                 | 200-208V          | 5-150 | 100,000                        |
|  |                  |                  |                 |                   | 220-240V          | 5-200 | 100,000                        |
|  |                  |                  |                 |                   | 380-415V          | 5-300 | 100,000                        |
|  |                  |                  |                 |                   | 440-480V          | 5-400 | 100,000                        |
|  |                  |                  |                 |                   | 575-600V          | 5-500 | 25,000                         |
| FD/FT70<br>WYE-Delta<br>(Star-Delta) Open<br>Transition    | Reduced          | 33%              | 33%             | 6                 | 200-208V          | 5-250 | 100,000                        |
|  |                  |                  |                 |                   | 220-240V          | 5-300 | 100,000                        |
|  |                  |                  |                 |                   | 380-415V          | 5-500 | 100,000                        |
|  |                  |                  |                 |                   | 440-480V          | 5-600 | 100,000                        |
|  |                  |                  |                 |                   | 575-600V          | 5-700 | 25,000                         |
| FD/FT80<br>WYE-Delta (Star-<br>Delta) Closed<br>Transition | Reduced          | 33%              | 33%             | 6                 | 200-208V          | 5-250 | 100,000                        |
|  |                  |                  |                 |                   | 220-240V          | 5-300 | 100,000                        |
|  |                  |                  |                 |                   | 380-415V          | 5-500 | 100,000                        |
|  |                  |                  |                 |                   | 440-480V          | 5-600 | 100,000                        |
|  |                  |                  |                 |                   | 575-600V          | 5-700 | 25,000                         |
| FD/FT90<br>Soft Start                                      | Reduced          | Adjustable       | Adjustable      | 3                 | 200-208V          | 5-150 | 100,000                        |
|  |                  |                  |                 |                   | 220-240V          | 5-200 | 100,000                        |
|  |                  |                  |                 |                   | 380-415V          | 5-300 | 100,000                        |
|  |                  |                  |                 |                   | 440-480V          | 5-400 | 100,000                        |
|  |                  |                  |                 |                   | 575-600V          | 5-500 | 25,000                         |

**Eaton**  
1000 Eaton Boulevard  
Cleveland, OH 44122  
United States  
Eaton.com

Electrical Sector  
Canadian Operations  
5050 Mainway  
Burlington, ON L7L 5Z1  
Canada  
EatonCanada.ca  
CHFire.com

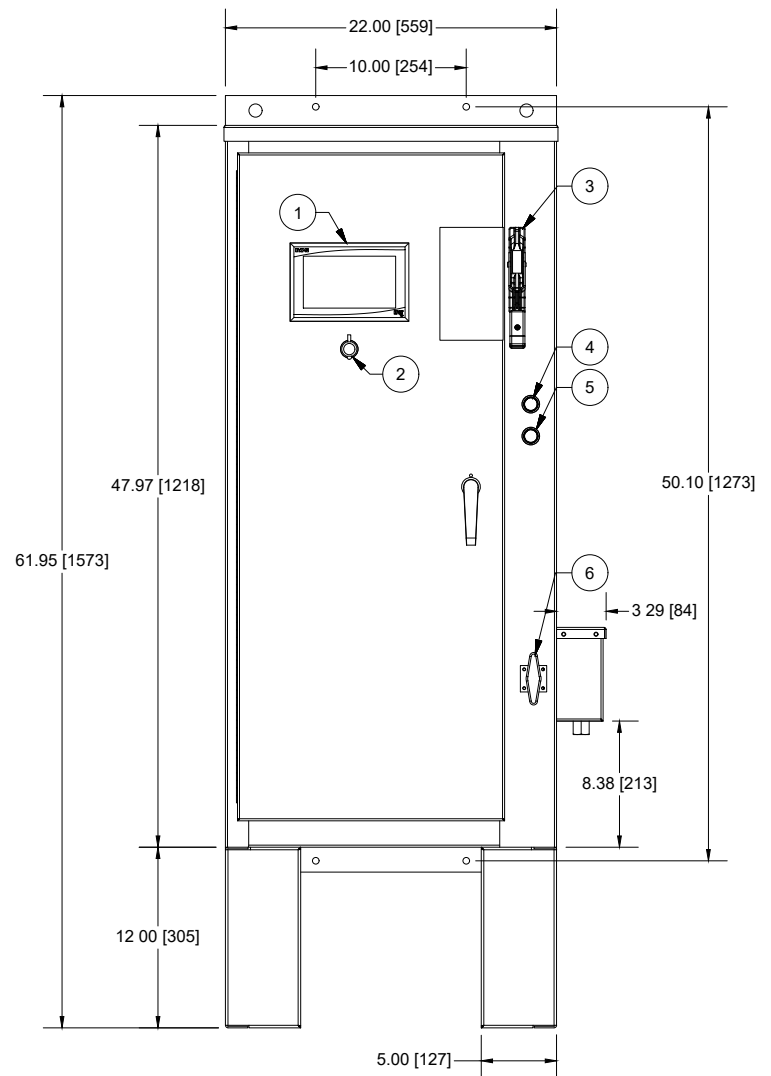
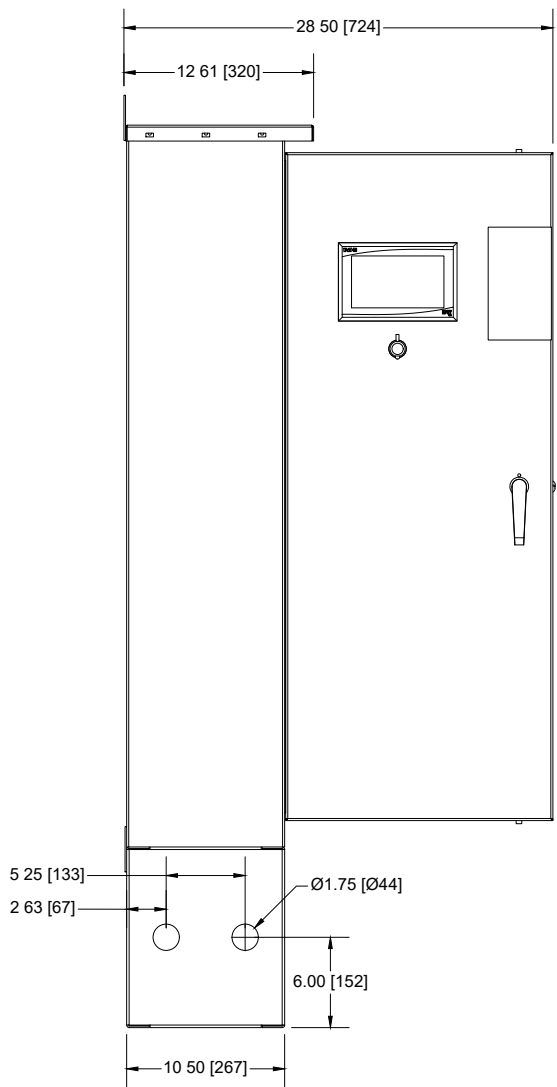
© 2018 Eaton  
All Rights Reserved  
Printed in Canada  
Publication No. BR124053EN / 001  
January 2018

Eaton is a registered trademark.

All other trademarks are property  
of their respective owners.

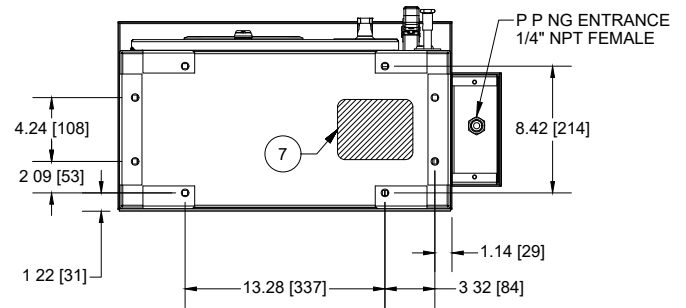
Follow us on social media to get the  
latest product and support information.



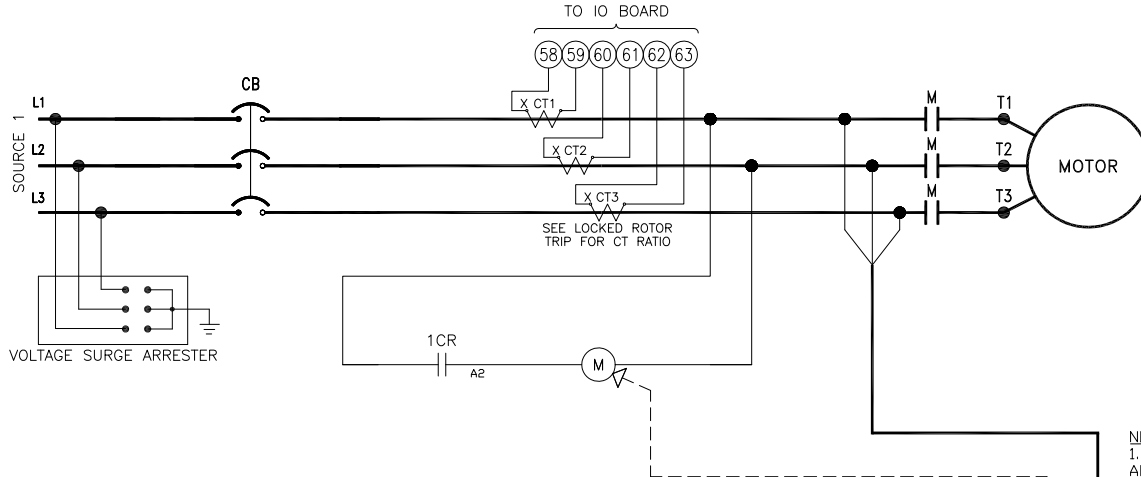


- 1 - EPCT TOUCHSCREEN
- 2 - EXTERNAL USB PORT
- 3 - MAIN POWER SWITCH
- 4 - START PUSHBUTTON
- 5 - STOP PUSHBUTTON
- 6 - MSH (EMERGENCY START HANDLE)
- 7 - RECOMMENDED CABLE ACCESS (BOTTOM ONLY)

NOTES:  
 1 - DIMENSIONS: in [mm]  
 2 - ALL ENCLOSURES FINISHED IN RED  
 3 - STANDARD ENCLOSURE: TYPE (NEMA) 2

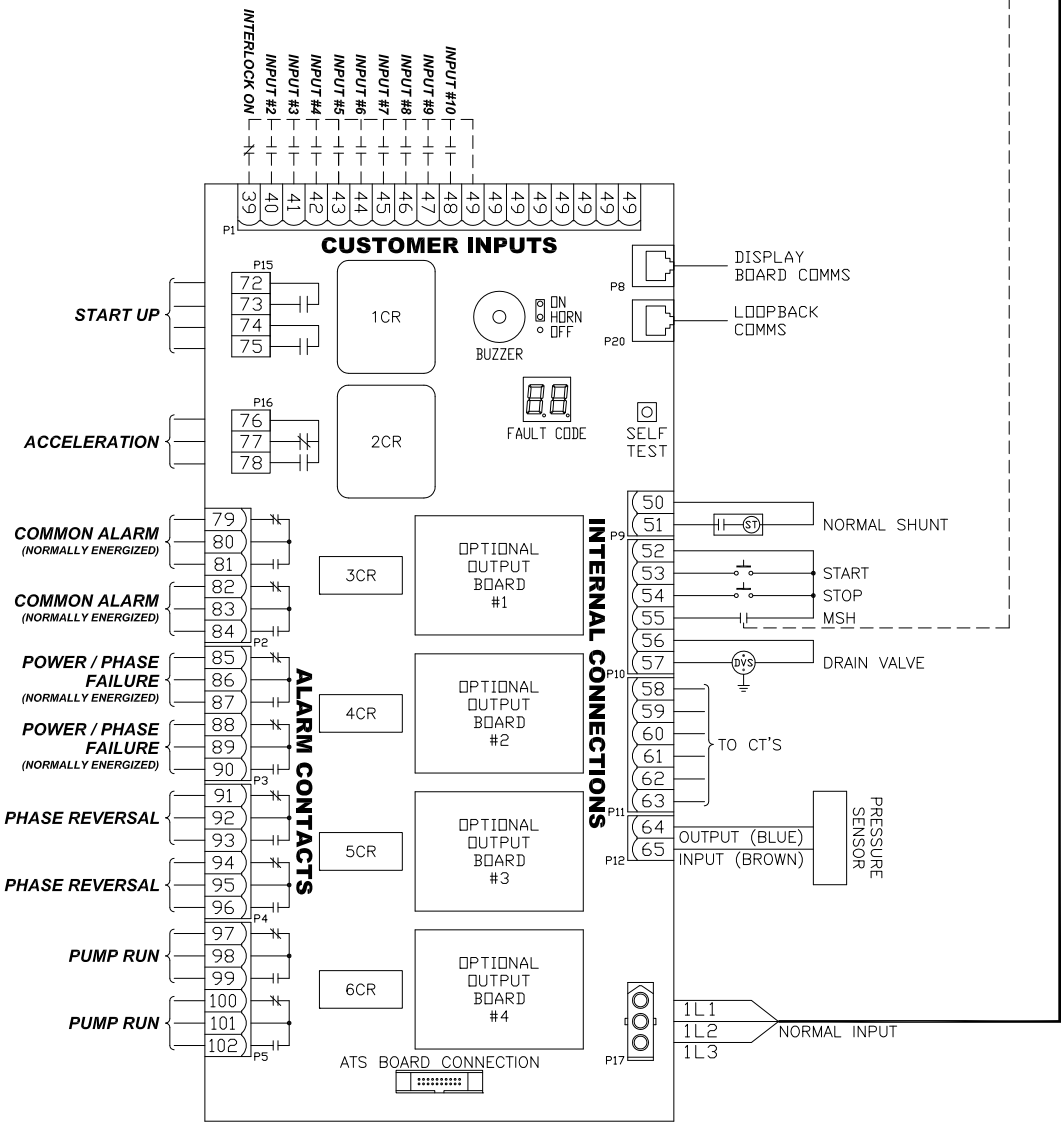


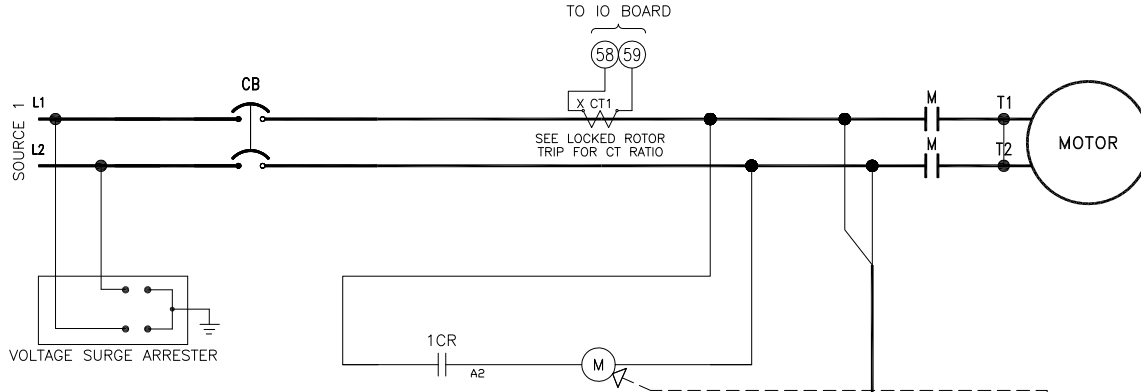
| Motor HP | Line voltage | Withstand rating |              | Approximate weight |
|----------|--------------|------------------|--------------|--------------------|
|          |              | Standard         | Intermediate | Lbs. (Kg)          |
| 5 - 30   | 200 - 208V   | 25,000           | 65,000       | 180 (81)           |
| 5 - 30   | 220 - 240V   |                  |              |                    |
| 5 - 30   | 380 - 415V * |                  |              |                    |
| 5 - 30   | 440 - 480V   |                  |              |                    |
| 5 - 30   | 550 - 600V   | 18,000           | 25,000       |                    |
| 5 - 15   | 240V - S/P   | 10,000           | 65,000       |                    |



**NOTES:**  
 1. POWER/PHASE FAILURE AND COMMON ALARM RELAYS ARE ENERGIZED UNDER NORMAL CONDITIONS.  
 2. ALL RELAY CONTACTS ARE SHOWN IN NO POWER CONDITION.

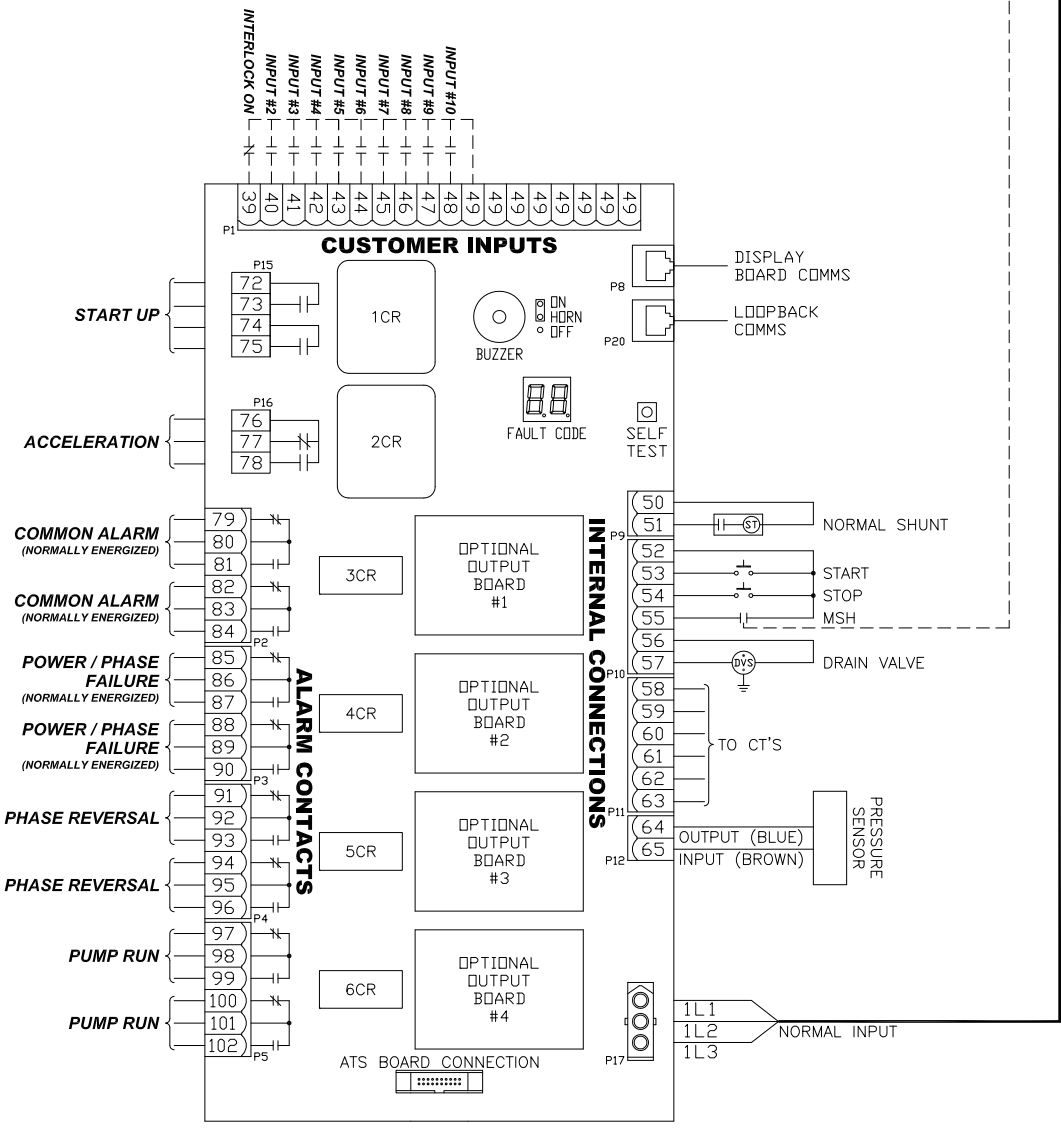
**LEGEND:**  
 CB - CIRCUIT BREAKER  
 CT - CURRENT TRANSFORMER  
 M - RUN CONTACTOR  
 MSH - MANUAL START HANDLE (EMERGENCY) MICRO SWITCH





**NOTES:**  
 1. POWER/PHASE FAILURE AND COMMON ALARM RELAYS ARE ENERGIZED UNDER NORMAL CONDITIONS.  
 2. ALL RELAY CONTACTS ARE SHOWN IN NO POWER CONDITION.

**LEGEND:**  
 CB - CIRCUIT BREAKER  
 CT - CURRENT TRANSFORMER  
 M - RUN CONTACTOR  
 MSH - MANUAL START HANDLE (EMERGENCY) MICRO SWITCH



**Line Terminals Connections**

**Line Voltage**

|               | 200-208 | 220-240 | 380-415 | 440-480 | 575-600 | Line Lugs<br>(QTY.) & Cable Size per Ø | Service Ground Lugs<br>(QTY.) & Cable Size per Ø |
|---------------|---------|---------|---------|---------|---------|--|--|
| <b>Max HP</b> | 25      | 30      | 30      | 30      | 30      | (1) #14 - 1/0 (CU/AL)                  | (1) #14 - 2/0 (CU/AL)                            |
|               | 30      | -       | -       | -       | -       | (1) #4 - 4/0 (CU)                      | (1) #14 - 2/0 (CU/AL)                            |

**Load Terminals Connections**

**Line Voltage**

|               | 200-208 | 220-240 | 380-415 | 440-480 | 575-600 | Single Run Cable Sizes | Double Run Cable Sizes |
|---------------|---------|---------|---------|---------|---------|------------------------|------------------------|
| <b>Max HP</b> | 10      | 10      | 15      | 20      | 25      | #14 - #8 (CU/AL)       | #14 - #8 (CU/AL)       |
|               | 20      | 25      | 30      | 30      | 30      | #14 - #1 (CU/AL)       | #14 - #2 (CU/AL)       |
|               | 30      | 30      | -       | -       | -       | #8 - 3/0 (CU/AL)       | #8 - 2/0 (CU/AL)       |

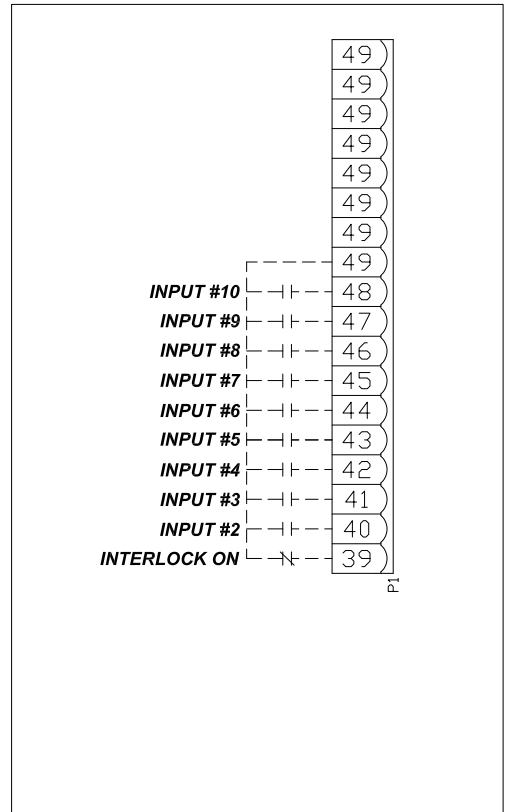
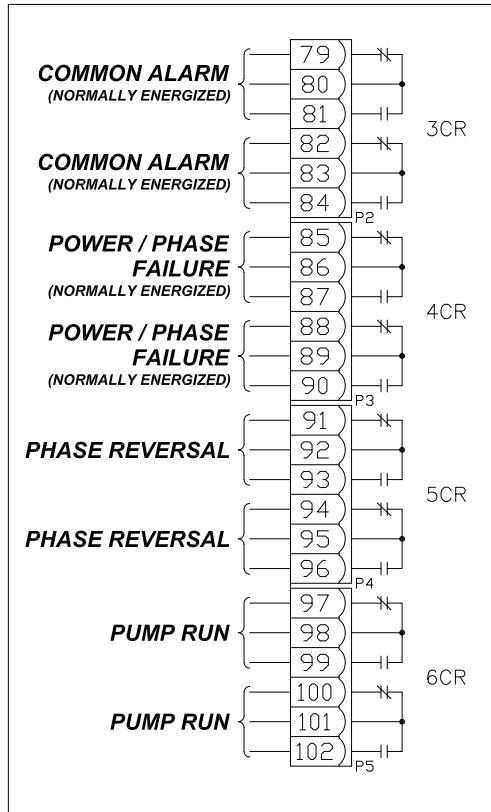
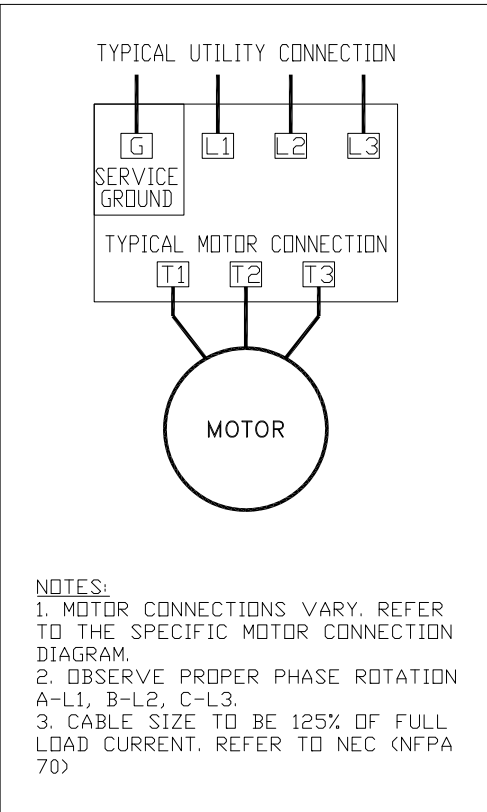
For ambient temperatures exceeding 30C (86F), the temperature rating of motor conductors is recommended to be a minimum of 90C (194F)

For proper cable size, refer to the National Electric Code (NEC - NFPA70)

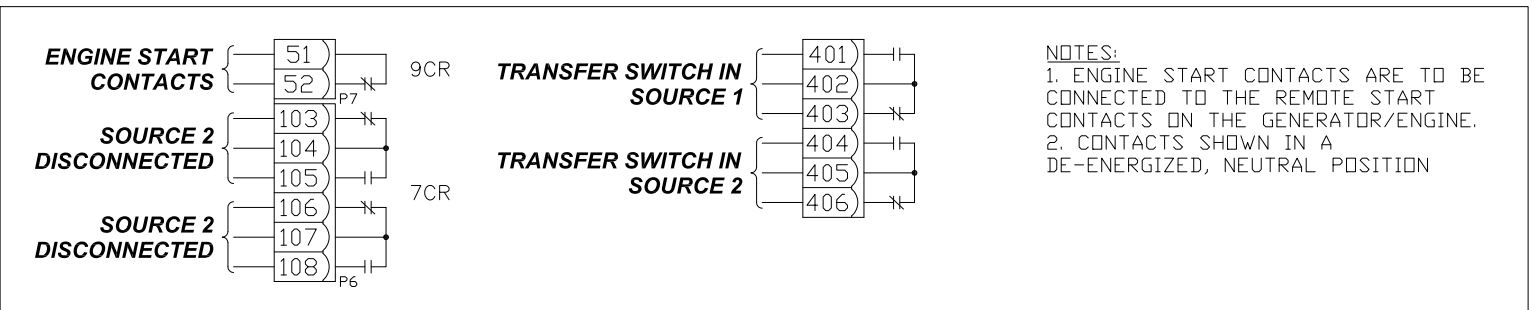
**CONTROLLER CONNECTIONS**

**ALARM CONTACTS**

**CUSTOMER INPUTS**



**TRANSFER SWITCH CONNECTIONS (IF EQUIPPED)**



NOTES:  
1. ENGINE START CONTACTS ARE TO BE CONNECTED TO THE REMOTE START CONTACTS ON THE GENERATOR/ENGINE.  
2. CONTACTS SHOWN IN A DE-ENERGIZED, NEUTRAL POSITION

**Line Terminals Connections**

**Line Voltage**

|        | 200-208 | 220-240 | 380-415 | 440-480 | 575-600 | Line Lugs<br>(QTY.) & Cable Size per Ø | Service Ground Lugs<br>(QTY.) & Cable Size per Ø |
|--------|---------|---------|---------|---------|---------|--|--|
| Max HP | -       | 10      | -       | -       | -       | (1) #14 - 1/0 (CU/AL)                  | (1) #14 - 2/0 (CU/AL)                            |
|        | -       | 15      | -       | -       | -       | (1) #4 - 4/0 (CU)                      | (1) #14 - 2/0 (CU/AL)                            |

**Load Terminals Connections**

**Line Voltage**

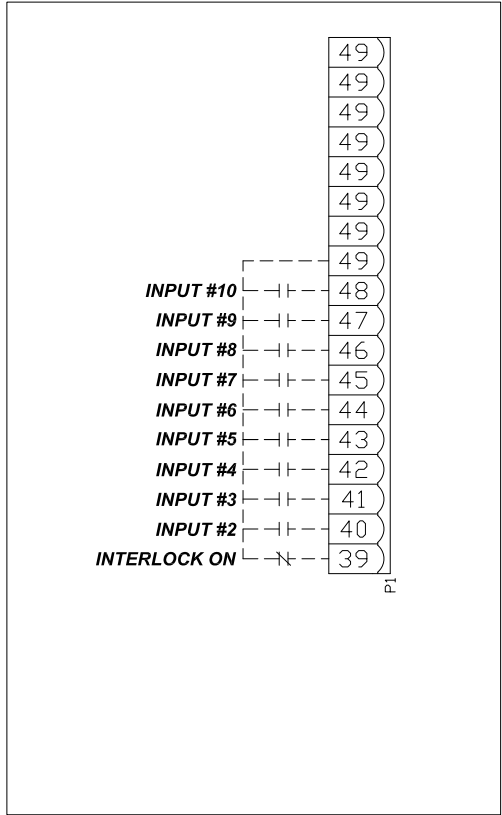
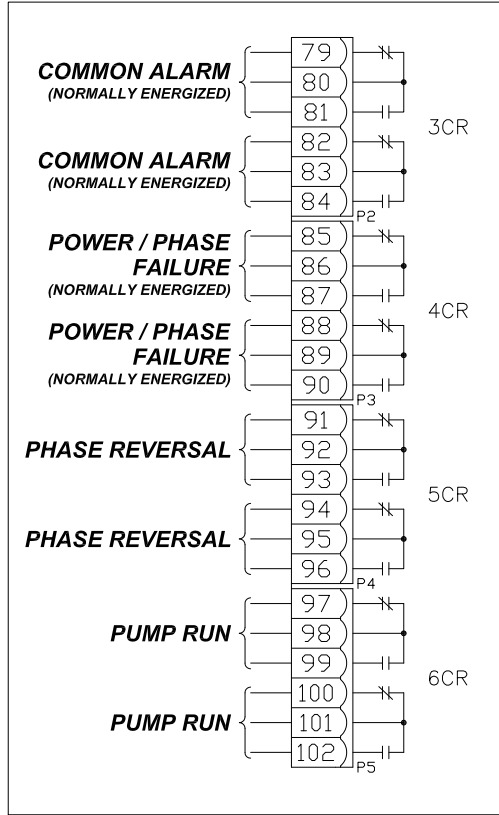
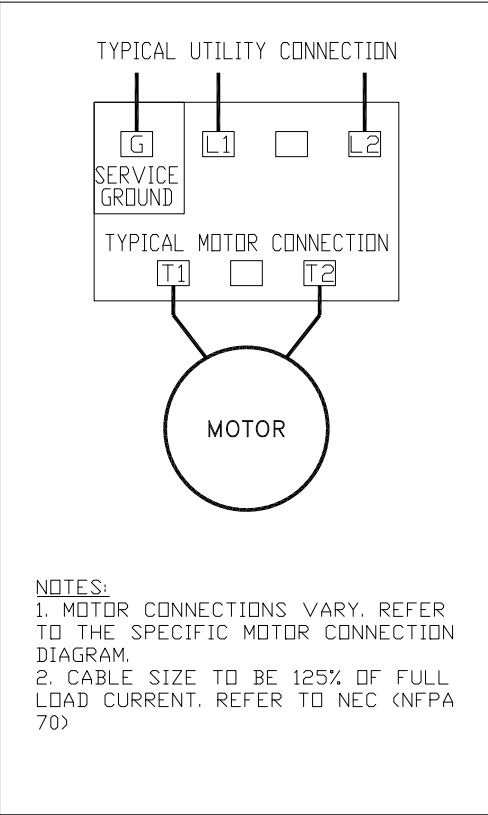
|        | 200-208 | 220-240 | 380-415 | 440-480 | 575-600 | Single Run Cable Sizes | Double Run Cable Sizes |
|--------|---------|---------|---------|---------|---------|------------------------|------------------------|
| Max HP | -       | 5       | -       | -       | -       | #14 - #8 (CU/AL)       | #14 - #8 (CU/AL)       |
|        | -       | 15      | -       | -       | -       | #14 - #1 (CU/AL)       | #14 - #2 (CU/AL)       |

For ambient temperatures exceeding 30C (86F), the temperature rating of motor conductors is recommended to be a minimum of 90C (194F)  
For proper cable size, refer to the National Electric Code (NEC - NFPA70)

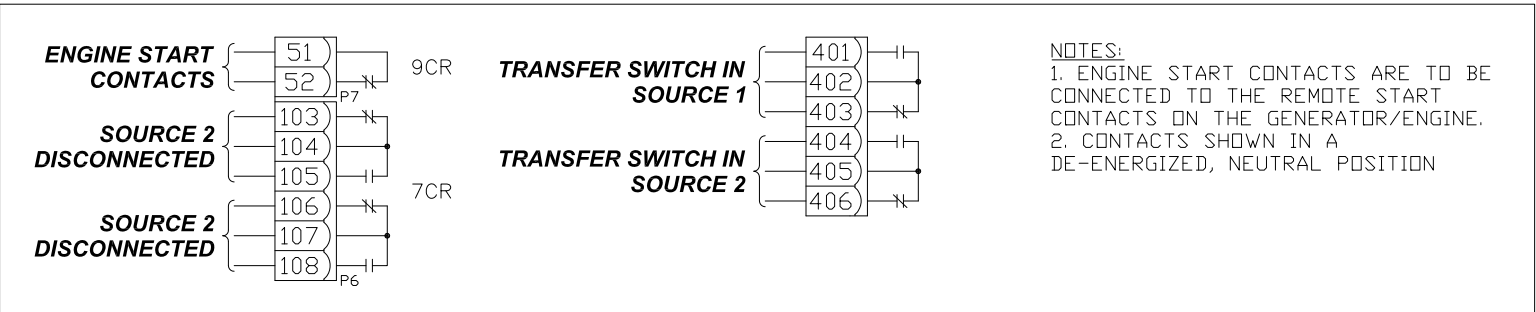
**CONTROLLER CONNECTIONS**

**ALARM CONTACTS**

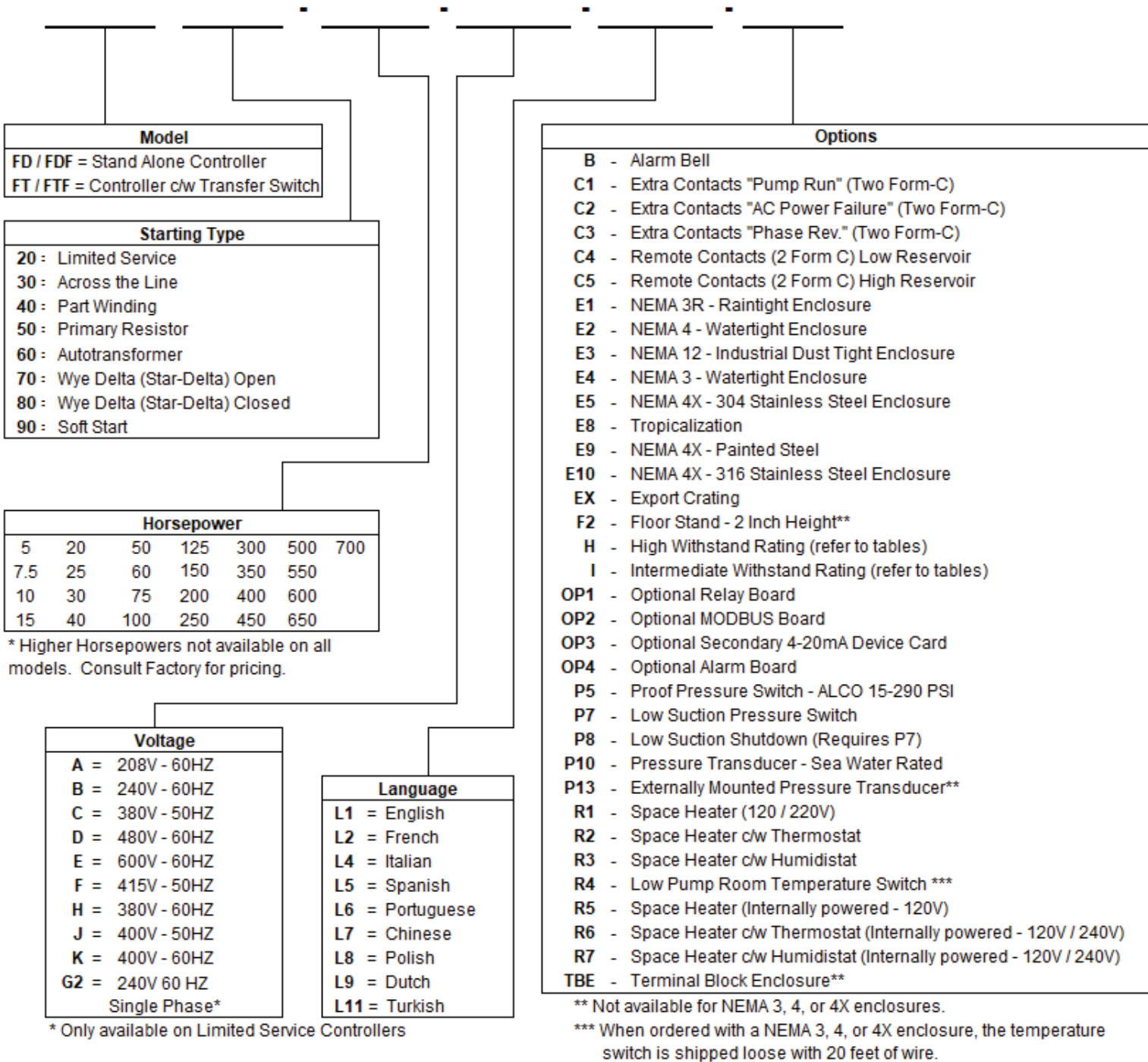
**CUSTOMER INPUTS**



**TRANSFER SWITCH CONNECTIONS (IF EQUIPPED)**



# EPCT Fire option selection matrix



## EPCT Fire electric fire pump controllers

### Typical specifications

#### 1. Approvals

- A. The Fire Pump Controller shall meet the requirements of the latest edition of NFPA 20 and shall be listed by [Underwriters Laboratories (UL)] and approved by [Factory Mutual Research (FM)] [Canadian Standards Association (CSA)] [New York Department of Buildings (NYSB)] and carry the CE marking for fire pump service.

#### 2. Starting type

- A. The controller shall be of the combined manual and automatic type designed for [Full Voltage Starting] [Part Winding Starting] [Primary Resistor Starting] [Autotransformer Starting] [Wye-Delta (Star-Delta) Open Transition Starting] [Wye-Delta (Star-Delta) Closed Transition Starting] [Solid State Soft Start Starting]

#### 3. Ratings

- A. The Controller shall have a withstand rating of 100,000 RMS symmetrical amperes @ [208V] [240V] [380V] [400V] [415V] [480V] [25,000 @ 600VAC].
- B. Temperature:  
4 to +50 deg. C (39 to +122 deg. F)

#### 4. Construction

- A. The controller shall include a motor rated combination isolating switch and circuit breaker, mechanically interlocked and operated with a single externally mounted handle.
- B. The isolating switch shall be rated to disconnect the motor load.
- C. The isolating switch/circuit breaker combination shall be mechanically interlocked such that the enclosure door cannot be opened when the handle is in the on position except by a tool operated defeater mechanism.
- D. The controller manufacturer shall manufacture the contactor, isolating switch, circuit breaker, pushbuttons, and enclosures. Brand-labeled components will not be accepted.

#### 5. Enclosure

- A. The controller shall be housed in a Type 2 (IEC IP11) drip-proof, powder baked finish, freestanding enclosure.

#### B. Optional enclosures:

1. Type 3R (IEC IP14) rain-tight enclosure
2. Type 3 (IEC IP55) water-resistant enclosure
3. Type 4 (IEC IP66) watertight enclosure
4. Type 4X (IEC IP66) watertight 304 stainless steel enclosure
5. Type 4X (IEC IP66) watertight 316 stainless steel enclosure
6. Type 4X (IEC IP66) watertight corrosion resistant enclosure
7. Type 12 (IEC IP52) dust-tight enclosure

#### 6. Microprocessor control

- A. The controller shall come complete with a 7", 800x480, color touchscreen. The touchscreen shall be type 4X rated.
  1. Home tab capable of displaying system pressure, three phase voltage and amperage readings for both sources, system frequency, date, and time, configurable notifications in the notification area, displaying current start and stop set points, and visual representation of the transfer switch position, source 2 disconnect handle, and contactor.
  2. Virtual buttons to manually test the pump motor and/or the backup power supply engine.
  3. Controller statistics screen, including:
    - A. Total Powered Time
    - B. Total Motor Run Time
    - C. Last Motor Run Time
    - D. Calls to Start
    - E. Motor Starts
    - F. Maximum Starting Current A
    - G. Maximum Starting Current B
    - H. Maximum Starting Current C
    - I. Maximum Run Current A
    - J. Maximum Run Current B
    - K. Maximum Run Current C
    - L. Last LR Current A
    - M. Last LR Current B
    - N. Last LR Current C
    - O. Minimum System Pressure
    - P. Maximum System Pressure
    - Q. Minimum S1 Voltage AB



Powering Business Worldwide



## Fire pump controllers Features

- R. Minimum S1 Voltage BC
  - S. Minimum S1 Voltage CA
  - T. Maximum S1 Voltage AB
  - U. Maximum S1 Voltage BC
  - V. Maximum S1 Voltage CA
  - W. Minimum S2 Voltage AB
  - X. Minimum S2 Voltage BC
  - Y. Minimum S2 Voltage CA
  - Z. Maximum S2 Voltage AB
  - AA. Maximum S2 Voltage BC
  - AB. Maximum S2 Voltage CA
  - AC. Minimum S1 Frequency
  - AD. Maximum S1 Frequency
  - AE. Minimum S2 Frequency
  - AF. Maximum S2 Frequency
  - AG. Last System Startup
  - AH. Last Motor Start
  - AI. Last Low Pressure Start
  - AJ. Last Locked Rotor Trip
  - AK. Last S1 Phase Failure
  - AL. Last S2 Phase Failure
  - AM. Last S1 Phase Reversal
  - AN. Last S2 Phase Reversal
  - AO. Last S1 Undervoltage
  - AP. Last S1 Overvoltage
  - AQ. Last S2 Undervoltage
  - AR. Last S2 Overvoltage
  - AS. Last S1 Under Frequency
  - AT. Last S1 Over Frequency
  - AU. Last S2 Under Frequency
  - AV. Last S2 Over Frequency
  - AW. Last Generator Start
  - AX. Last Generator Stop
  - AY. Last transfer to S1
  - AZ. Last transfer to S2
  - BA. Last S2 Disconnect
4. Controller diagnostics screen, including:
- A. Controller Serial Number
  - B. Logic Board Firmware Version
  - C. I/O Board Firmware Version
  - D. I/O Board Supply Voltage
  - E. I/O Board Communication
  - F. CT1 Secondary Amperage
  - G. CT2 Secondary Amperage
  - H. CT3 Secondary Amperage
  - I. Transducer Input Voltage
  - J. Transducer Output Current
  - K. Transducer Setpoint Current 2
  - L. Transducer Setpoint Current 1
- M. All Input Status (Open or Closed) (Can be selected to override for one minute and manually change the state of the input)
  - N. All Output Relay Status (Energized or De-energized) (Can be selected to override for one minute and manually energize or de-energize the relay)
  - O. Test the display board's communication.
5. Archive message screen that will display up to 65,000 alarms/messages stored in the controllers' memory
- B. The microprocessor logic board shall be available with a USB port for transference of message history, controller status, diagnostics, startup and statistic files and the ability to update firmware.
  - C. A Fail-to-Start alarm shall occur if the motor controller sees less than 20% of the motor full load amps after an adjustable time delay of 1-99 seconds.
  - D. Locked rotor protection shall be provided. After a trip condition and restoration of power, the display shall indicate the voltage, current, and date and time at the moment that the controller tripped.
  - E. A sequential start timer and weekly test timer shall be provided as standard.
  - F. A restart time delay of one (1) second shall be provided to allow the residual voltage of the motor to decay prior to re-starting the motor. In the event that the pump motor continues to run after a request to stop, then the controller must display a fail to stop message to indicate this condition.
  - G. Overvoltage (0-100%) and undervoltage (0-100%) sensing and alarming shall be provided as standard.
  - H. The controller shall be supplied with interlock and shutdown circuits as standard. A green LED in the notification area shall indicate an interlock on condition.
  - I. Where shutdown of the pump(s) due to low suction pressure is required, it shall be accomplished without the addition of a separate panel or enclosure. The display shall indicate low suction shutdown. Resetting of the condition shall be automatic or manual as selected by the user.
7. Programming Menu
- A. The programming menu shall have the ability to enable an entry password.
  - B. The controller shall have nine (9) languages as a standard: English, French, Spanish, Portuguese, Turkish, Italian, Dutch, Chinese, and Polish.
  - C. The programming menu shall be grouped into ten (10) tabs as follows:
    - 1. Home
    - 2. Startup
    - 3. Panel Setup
    - 4. Help
    - 5. Pressure Settings
    - 6. Timer Values

7. ATS Settings
8. Alarm Setpoints
9. Inputs/Outputs
10. History/Statistics/Diagnostics

#### 8. Pressure sensor

- A. A solid-state 4-20mA pressure sensor shall be provided. The pressure Start and Stop points shall be adjustable in increments of one (1) PSI.

#### 9. Custom inputs/outputs

- A. The controller shall come standard with ten (10) programmable inputs, four (4) programmed outputs with the ability to add up to another sixteen (16) outputs via optional relay boards.
- B. The user shall be able to program the inputs/outputs through the main programming menu.
- C. The inputs shall be selectable based on the following criteria:
  1. User selected message or seventeen (17) predetermined messages
  2. Link to a future relay and/or LED indicator
  3. Alarm latched until reset
  4. Normally open or closed input
  5. On and/or off-delay timer
- D. The future relays shall be selectable based on the following criteria:
  1. Output based on a minimum of sixty-one (61) predetermined alarms, controller status or a custom input
  2. Latched until reset
  3. Energized under normal conditions
  4. On and/or off delay timer on the output

#### 10. Alarm relays

- A. All relays shall be soldered on the PCB. An LED on the relay panel shall indicate the energized state of the relay. All relay contacts shall be rated @ 8A, 277VAC/30VDC. Two (2) sets of Form-C contacts shall be provided for each of the following:
  1. Common Alarm
  2. Power/Phase Failure
  3. Phase Reversal
  4. Pump Run
- B. The Common Alarm and Power/Phase Failure relays shall be energized under normal conditions.

#### 11. Audible alarm buzzer

An audible alarm buzzer, capable of being heard

while the motor is operating, shall operate if Fail to Start, Hardware Malfunction or any Common Alarm condition exists.

#### 12. Manufacturer

- A. The controller shall be of the EPCT Fire type as manufactured by Eaton Corporation.

**TALCO** FIRE  
SYSTEMS



RESIDENTIAL & COMMERCIAL FIRE PUMP SPECIALISTS

6040 NE 112TH AVE. PORTLAND, OREGON 97220

PHONE: 800-878-8055 WWW.TALCOFIRE.COM

# Jockey Pump

(Optional Equipment)

# UTILITY DUTY GEAR PUMPS

The CEP series Utility Gear Pumps are a close tolerance, low flow, high pressure positive displacement pump. A standard in the fire sprinkler industry for excess pressure service.

## APPLICATIONS

- Excess Pressure Pump
- Liquid Transfer/Circulation
- Small Booster Jockey Pump
- Spray Nozzles/Misting
- Hydraulic/Hydrostatic



FLOW: 0-4.6 GPM | 0-0.29 L/s | 0-1.04 m<sup>3</sup>/hr

PRESSURE: 0-150 PSI | 10.5 Bar | 0-346 Ft.

## FEATURES

- Precision Spur Style Gears
- Self Priming due to close manufacturing tolerances
- Suction lift of up to 20 feet
- Pump housings are of bronze
- Pump shafts are of stainless steel
- Lip seals of Buna or Viton
- Carbon graphite shaft bearings
- Bearings never need lubrication
- Easy maintenance and service

## SPECIFICATIONS

|                |                             |
|----------------|-----------------------------|
| PORTS          | 3/8" NPT / 9.525 mm         |
| CAPACITY       | 4.6 USGPM / 0.29 L/s (Max.) |
| PRESSURE       | 150 PSI / 10.5 Bar (Max.)   |
| INLET PRESSURE | 50 PSI / 3.5 Bar (Max.)     |
| TEMPERATURE    | 225° F (100 C) (Buna Seal)  |

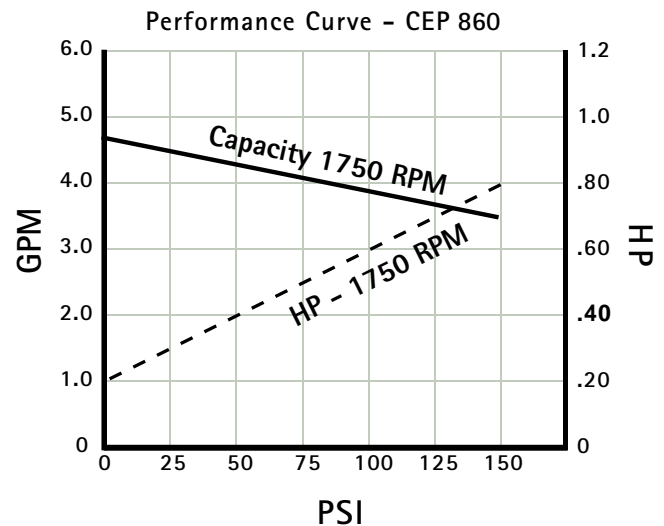
## ROTATION

- Precision Spur Style Gears
- Self Priming due to close manufacturing tolerances
- Suction lift of up to 20 feet
- Pump housings are of bronze

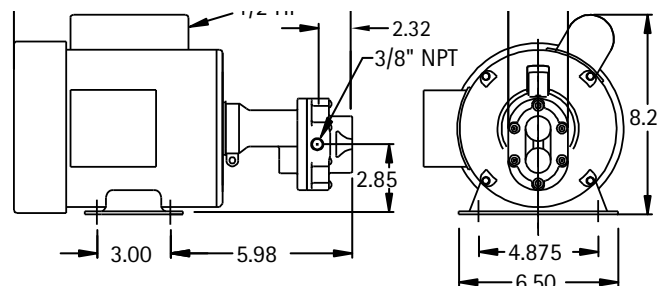
## MAINTENANCE

To ensure a long life to this pump a strainer is always recommended in front of the pump inlet.

## PERFORMANCE



## DIMENSIONS



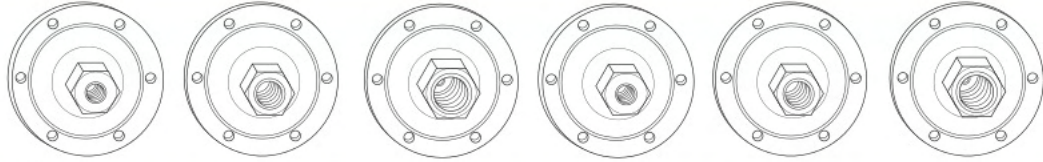




# Commercial Pressure Switches

Electromechanical Square D Brand 9013  
For power circuits G  
2-pole 2 N/C contacts  
Degree of protection IP20, NEMA Type 1, 7 & 9

## Flange Style



**Adjustable range of switching point**  
Contacts open on rising pressure  
**2 Pole**

|                          |                    |                    |                    |                    |                    |                    |
|--------------------------|--------------------|--------------------|--------------------|--------------------|--------------------|--------------------|
| <b>Fluid connections</b> | 1/8" NPSF internal | 1/4" NPSF internal | 3/8" NPSF internal | 1/8" NPSF internal | 1/4" NPSF internal | 3/8" NPSF internal |
|--------------------------|--------------------|--------------------|--------------------|--------------------|--------------------|--------------------|

## References

|                                     |              |              |              |              |              |              |
|-------------------------------------|--------------|--------------|--------------|--------------|--------------|--------------|
| <b>NEMA Type 1, IP20</b>            | 9013GHG1     | 9013GHG2     | 9013GHG3     |              |              |              |
| <b>NEMA Type 7, NEMA Type 9</b>     |              |              |              | 9013GHR1     | 9013GHR2     | 9013GHR3     |
| <b>Fluids / Pressure controlled</b> | Water or Air | Water or Air | Water or Air | Water or Air | Water or Air | Water or Air |
| <b>Pressure range</b>               |              |              |              |              |              |              |
| <b>Cut-Out PSIG (bar)</b>           | 60-200       | 60-200       | 60-200       | 65-200       | 65-200       | 65-200       |
| <b>Cut-In PSIG (bar)</b>            | 40-170       | 40-170       | 40-170       | 35-150       | 35-150       | 35-150       |
| <b>Weight lbs (kg)</b>              | 2 lbs (0.91) | 2 lbs (0.91) | 2 lbs (0.91) | 8 lbs (3.62) | 8 lbs (3.62) | 8 lbs (3.62) |

## Complementary characteristics not shown under general characteristics

|  |                             |                             |                             |                  |                  |                  |
|--|-----------------------------|-----------------------------|-----------------------------|------------------|------------------|------------------|
| <b>Differential PSIG (bar)</b>                 | 20-40 (1.4-2.8)             | 20-40 (1.4-2.8)             | 20-40 (1.4-2.8)             | 30-50 (2.1-3.5)  | 30-50 (2.1-3.5)  | 30-50 (2.1-3.5)  |
| <b>Maximum permissible pressure PSIG (bar)</b> | 80 (5.5)                    | 80 (5.5)                    | 80 (5.5)                    | 80 (5.5)         | 80 (5.5)         | 200 (13.8)       |
| <b>Mechanical life</b>                         | 300,000 operating cycles    |                             |                             |                  |                  |                  |
| <b>Cable entry</b>                             | 3 Conduit<br>1/2" Knockouts | 3 Conduit<br>1/2" Knockouts | 3 Conduit<br>1/2" Knockouts | 2<br>3/4"-14 NPT | 2<br>3/4"-14 NPT | 2<br>3/4"-14 NPT |
| <b>Pressure switch type</b>                    | Diaphragm                   |                             |                             |                  |                  |                  |

## Ordering Information

## Pressure Codes

Below is the pressure code table.  
Existence of a code does not imply that the code is available for any or all devices.

| Settings                  | Code |
|---------------------------|------|
| 20-40 PSI                 | J20  |
| 30-50 PSI                 | J21  |
| 40-20 PSI                 | J23  |
| 40-60 PSI                 | J24  |
| 60-80 PSI                 | J25  |
| 70-90 PSI                 | J26  |
| 70-100 PSI                | J28  |
| 75-100 PSI                | J29  |
| 80-100 PSI                | J30  |
| 90-120 PSI                | J31  |
| 100-80 PSI                | J51  |
| 100-125 PSI               | J53  |
| 110-125 PSI               | J54  |
| 110-150 PSI               | J56  |
| 120-150 PSI               | J57  |
| 125-150 PSI               | J58  |
| 125-175 PSI               | J60  |
| 130-175 PSI               | J61  |
| 140-170 PSI               | J66  |
| 140-175 PSI               | J62  |
| 145-175 PSI               | J63  |
| 150-120 PSI               | J64  |
| 150-175 PSI               | J67  |
| 215-250 PSI               | J65  |
| Specify pressure settings | J99  |

- Specify Class 9013 Type G.
- Select pressure code and add code designation to end of type number. Be sure that pressure code falls within the limits of the device as shown in the device listings.
- If special features are desired, add the appropriate Form letter to the Class and Type. Arrange Form letters in alphabetical sequence when ordering more than one special feature.
- Place packaging code at end of sequence with other forms when ordering. If no packaging code is indicated, devices will be shipped individually packaged.  
For standard pack of 10 devices per box C10  
Available on GHG, GHG, GSB, and GSG

See page 25 for Form C10.

**TALCO** FIRE  
SYSTEMS



RESIDENTIAL & COMMERCIAL FIRE PUMP SPECIALISTS

6040 NE 112TH AVE. PORTLAND, OREGON 97220

PHONE: 800-878-8055 WWW.TALCOFIRE.COM

# Valves & Fittings

**For Commercial, Institutional and Industrial Applications**

Job Name \_\_\_\_\_  
 Job Location \_\_\_\_\_  
 Engineer \_\_\_\_\_  
 Approval \_\_\_\_\_

Contractor \_\_\_\_\_  
 Approval \_\_\_\_\_  
 Contractor's P.O. No. \_\_\_\_\_  
 Representative \_\_\_\_\_

# Series 530C

## Calibrated Pressure Relief Valves

Sizes: 1/2" or 3/4" (15 or 20mm)

Series 530C Calibrated Pressure Relief Valves are spring operated brass valves designed for use only as protection from the build up of excessive pressure in systems containing water, oil or air. Series 530C valves incorporate a calibrated adjustment feature for setting the valve to the relief pressure required. These valves are ideally suited for bypass thermal expansion relief.

### Features

- Calibrated adjustment feature for setting valve to relief pressure required
- Adjustable range 50 – 175psi (3.4 – 12.1 bar)
- All brass construction
- All stainless steel spring
- Buna-N disc on machined body seat
- Inlet (bottom), male NPT threaded
- Outlet (side), female NPT threaded

### Pressure – Temperature

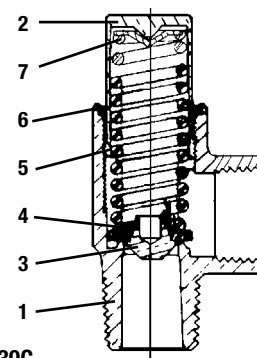
Maximum Temperature: 180°F (82°C)

### Spring Ranges

1/2" or 3/4" (15 or 20mm): 50 – 175psi (3.4 – 12.1 bar)  
 3/4" (20mm): 100 – 300psi (6.9 – 20.7 bar)

**Application Note:** The Watts Series 530C are not ASME approved safety relief valves and should not be used in system application with this requirement.

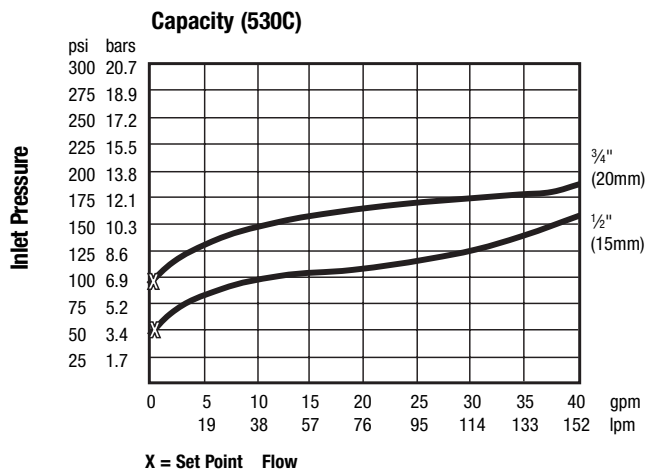
| MODEL | SIZE (DN)  |          | DIMENSIONS |    |       |    | WEIGHT |      |
|-------|------------|----------|------------|----|-------|----|--------|------|
|       | in.        | mm       | Height     |    | Width |    | lbs.   | kg.  |
| 530C  | 1/2 or 3/4 | 15 or 20 | 3          | 76 | 1 1/2 | 41 | .37    | 0.17 |



Model 530C

### Materials

- |                             |                  |
|-----------------------------|------------------|
| <b>1. Body</b>              | Brass            |
| <b>2. Bonnet</b>            | Brass            |
| <b>3. Disc Holder</b>       | Brass            |
| <b>4. Disc</b>              | Buna-N (Nitrile) |
| <b>5. Adjustable Spring</b> | Stainless Steel  |
| <b>6. O-ring</b>            | Buna-N (Nitrile) |
| <b>7. Spring Washer</b>     | Brass            |



Watts product specifications in U.S. customary units and metric are approximate and are provided for reference only. For precise measurements, please contact Watts Technical Service. Watts reserves the right to change or modify product design, construction, specifications, or materials without prior notice and without incurring any obligation to make such changes and modifications on Watts products previously or subsequently sold.



**Water Safety & Flow Control Products**

USA: 815 Chestnut St., No. Andover, MA 01845-6098; www.watts.com  
 Canada: 5435 North Service Rd., Burlington, ONT. L7L 5H7; www.wattscanada.ca





# UNITED BRASS WORKS, INC.

714 S. Main St., Randleman, NC 27317

Tel: 800-334-3035 Fax: 800-498-4696 www.ubw.com



## Model 18 Gate Valve

**Bronze Screwed Ends  
Outside Screw & Yoke**

**UL** *UL Listed / FM Approved @ 175 lbs. WOG*

**200 WOG @ 180° Max**

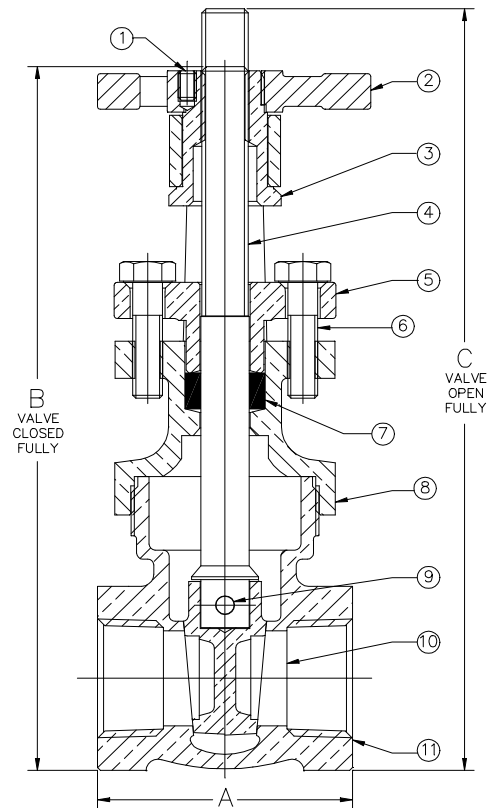
**100% Pressure Tested**

**Rising Stem**

**MEA Approval 255-93-E**

### MATERIAL LIST

| NO. | DESCRIPTION   | MATERIAL          |
|-----|---------------|-------------------|
| 1   | Set Screw     | Steel             |
| 2   | Hand Wheel    | Iron              |
| 3   | Yoke Bushing  | Brass             |
| 4   | Stem          | Brass             |
| 5   | Packing Gland | Brass             |
| 6   | Cap Screw     | Steel             |
| 7   | Packing       | Graphite Non-Asb. |
| 8   | Bonnet        | Bronze            |
| 9   | Spirol Pin    | Stainless Steel   |
| 10  | Wedge         | Bronze            |
| 11  | Body          | Bronze            |



| Size | A    | B    | C     | Ship Wgt. (lbs.) | Qty. Unit Pack | Qty. Per Case |
|------|------|------|-------|------------------|----------------|---------------|
| 1    | 2.55 | 6.55 | 7.97  | 3.85             | 6              | 18            |
| 1 ¼" | 2.81 | 7.61 | 9.47  | 6.26             | 2              | 12            |
| 1 ½" | 2.86 | 7.84 | 9.75  | 6.55             | 2              | 6             |
| 2"   | 3.09 | 8.88 | 11.22 | 9.96             | 2              | 6             |

# BB-SC 100 & S02

# 1" - 2-1/2"

Approved by: NYC Board of Stds. & Appeals,  
Cal. #996-81-SM (175psi)  
720-83-SA (350 & 500 psi)

® SLOW CLOSE

**BRONZE BUTTERFLY VALVE**  
**ONE-PIECE, FULL-PORT**  
**175 PSI**  
**THREADED ENDS**



## DIMENSIONS

| Valve Size        |      |        |        |      |        |
|-------------------|------|--------|--------|------|--------|
| DIM               | 1"   | 1-1/4" | 1-1/2" | 2"   | 2-1/2" |
| A                 | 2.13 | 2.63   | 2.88   | 3.25 | 4.13   |
| B <sup>1</sup>    | 3.16 | 3.31   | 3.41   | 3.63 | 3.82   |
| C                 | 1.56 | 1.94   | 2.19   | 2.75 | 3.19   |
| D                 | 1.72 | 2.11   | 2.38   | 3.07 | 3.50   |
| J <sup>2</sup>    | 4.16 | 4.16   | 4.51   | 4.76 | 4.66   |
| K                 | .66  | .73    | .73    | .79  | 1.18   |
| L                 | .83  | .90    | .10    | 1.41 | 1.29   |
| M-40 <sup>3</sup> | 1.10 | 1.38   | 1.61   | 2.07 | 2.47   |
| M-80 <sup>4</sup> | .96  | 1.28   | 1.50   | 1.94 | 2.32   |
| N-40 <sup>5</sup> | 2.25 | 2.00   | 2.50   | 2.25 | 10.00  |
| W <sup>6</sup>    | 1.13 | 1.25   | 1.41   | 1.69 | 1.75   |

ALL DIMENSIONS-INCHES

<sup>1</sup> Pertains to BB-SC100 only.

<sup>2</sup> Pertains to BB-SCS02 only.

<sup>3</sup> M-40 ARE DIMENSIONS USING SCHEDULE 40 PIPE

<sup>4</sup> M-80 ARE DIMENSIONS USING SCHEDULE 80 PIPE

<sup>5</sup> N-40 IS FLOW RESISTANCE EXPRESSED IN EQUIVALENT LENGTH OF SCHEDULE 40 PIPE

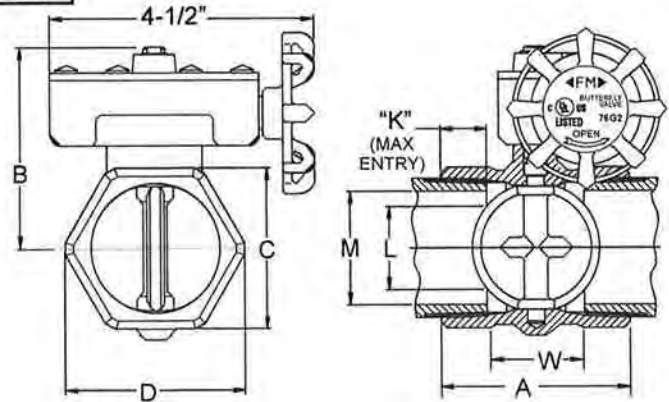
<sup>6</sup> W IS THE WRENCH MAKE-UP LENGTH

## FEATURES

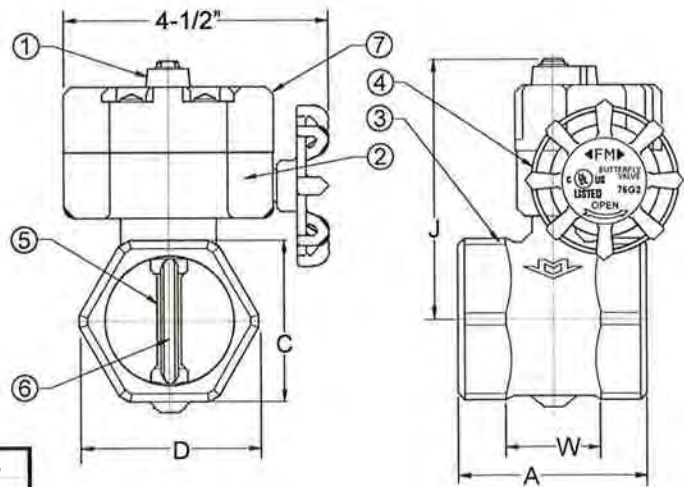
- Slow opening and closing
- Quarter turn operation
- Water Hammer elimination
- Optional internal tamper switch (Indoor/Outdoor use).
  - Signals disc movement
  - Factory or Field installation
  - 10 Amp / 115 VAC-60 Hz
  - 0.5 Amp / 28 VDC
- Grooved Ends Available in Sizes 2" and 2-1/2"

## MATERIALS LIST

| ITEM | PART                      | MATERIALS       | ASTM SPEC.              |
|------|---------------------------|-----------------|-------------------------|
| 1    | Indicator                 | Iron            | F0008P                  |
| 2    | Housing                   | Bronze          | ASTM 584 UNS            |
| 3    | Body                      | Bronze          | C8440                   |
| 4    | Handle                    | Brass           | ASTM B176 UNS<br>C85800 |
| 5    | Disk                      | Stainless Steel | ASTM A276,<br>Type 304  |
| 6    | Disk Seal                 | EPDM            |                         |
| 7    | Switch Housing (BB-SCS02) | Aluminum        |                         |



**BB-SC100**  
Sizes 1", 1-1/4", 1-1/2", 2", 2-1/2"



**BB-SCS02**  
(Includes Switch)

The information presented on this sheet is correct at the time of publication. Milwaukee Valve reserves the right to change design, and/or material specifications without notice. For the most current information access [www.milwaukeevalve.com](http://www.milwaukeevalve.com)





## Check Valve – 500 SB Series

### Certified Lead Free\*

- Silicon bronze cast body
- Silicon bronze cast poppet
- Female Threads

\* Silicon bronze components contain less than .05% (1/20 of 1%) Lead

All check valves furnished with Buna-N O-Ring, stainless steel spring, stainless steel washer and stainless steel locknut.

All valves 3/4" through 1-1/2" have a working pressure of 400 psi. All valves 2" and larger have a working pressure of 600 psi.

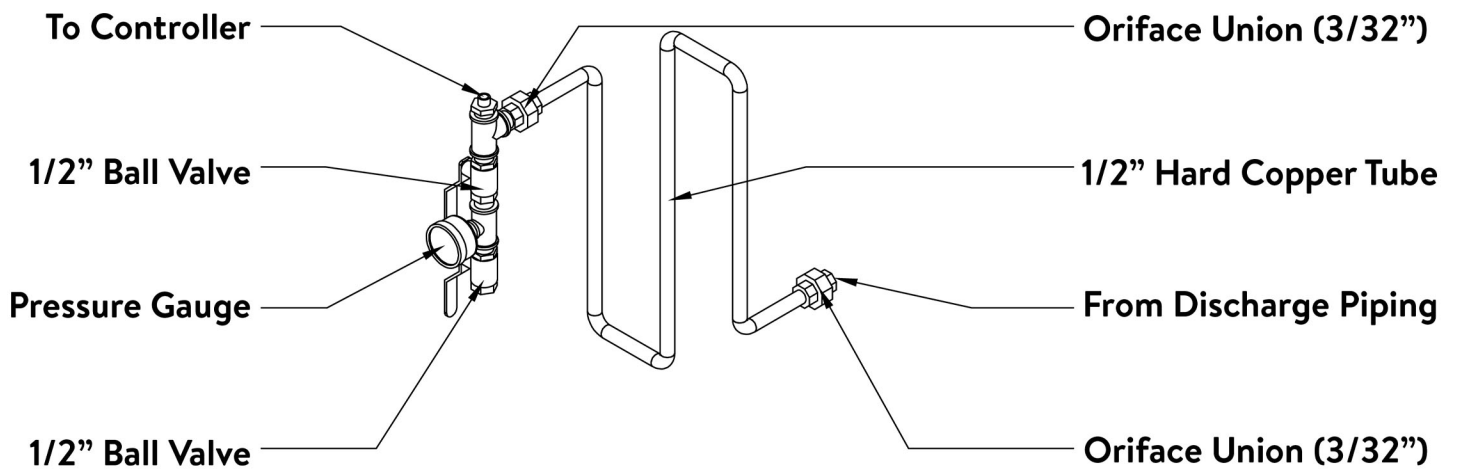
| Part No. | Size      | Weight | List Price |
|----------|-----------|--------|------------|
| 501SB    | 1/2 in.   | .60    | \$39.77    |
| 502SB    | 3/4 in.   | .80    | \$40.26    |
| 503SB    | 1 in.     | 1.1    | \$42.39    |
| 513SB*   | 1 in.     | 1.2    | \$44.22    |
| 504SB    | 1 1/4 in. | 1.6    | \$58.10    |
| 514SB**  | 1 1/4 in. | 1.7    | \$62.09    |
| 505SB    | 1 1/2 in. | 2.1    | \$81.21    |
| 506SB    | 2 in.     | 3.7    | \$131.37   |
| 507SB    | 2 1/2 in. | 9.8    | \$560.63   |
| 508SB    | 3 in.     | 10.8   | \$675.66   |
| 509SB    | 4 in.     | 23.6   | \$1174.60  |
| 510SB*** | 5 in.     | 25.1   | \$1579.58  |
| 511SB    | 6 in.     | 41.5   | \$2146.64  |

\* Has Longer Threads

\*\* Has Longer Threads

\*\*\* Has 5" male threads on both ends

# NFPA20 Sensing Line Detail



Pressure Sensing Lines constructed in accordance with NFPA 20:  
All brass or copper components, orifice unions at connections to  
both discharge piping & controller valve assembly, minimum 60"  
hard copper tubing between unions.