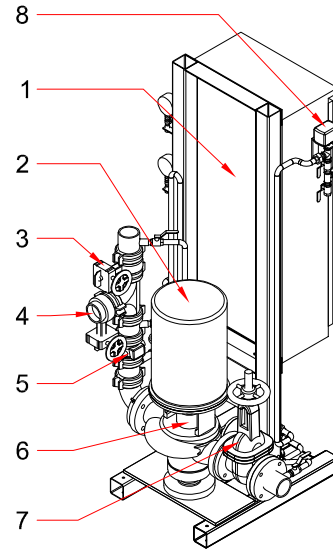
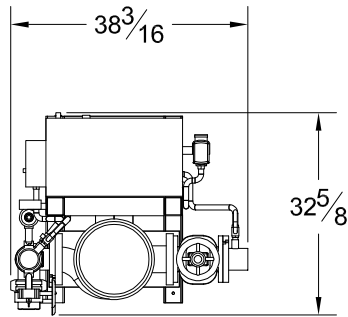


NFPA13R Packaged Fire Pump System  
 UL/FM Fire Pump  
 with Jockey Pump

## 13-ULV150-R

Compact Residential Package  
 Design Condition: 150GPM @ 60PSI



**System Specifications:**

- Motor**
- 10 Horsepower Electric
  - 230 Volt, 46 Amp
  - Single Phase
  - 3450 RPM

- Pump**
- UL/FM Vertical Inline Fire Pump
  - 3" Suction (Grooved)
  - 3" Discharge (Grooved)
  - 175 PSI max working pressure

**System Components (UL Listed by Manufacturer)**

- 1- Limited Service Fire Pump Controller
- 2- Electric Motor
- 3- Discharge Monitored Ball Valve
- 4- Test Connection Monitored Ball Valve
- 5- Check Valve
- 6- Vertical Inline Fire Pump
- 7- Suction OS&Y
- 8- Pressure Switch (Jockey Control)

**Dimensions (Approximate)**

- 33" Depth
- 78" Height
- 39" Width

