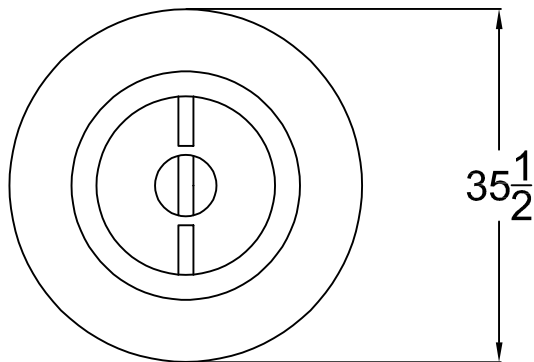
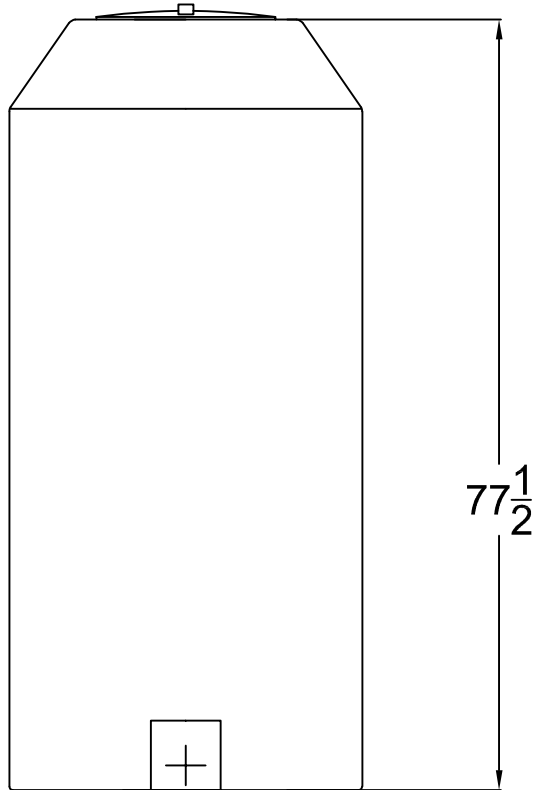


Talco 300V

300 Gallon Vertical
Poly Water Storage Tank



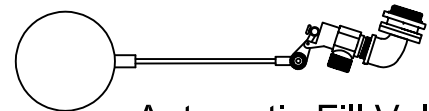
Tank Weight: 100#

Talco water storage tanks ship bare.
For a tank with fitting kit order:

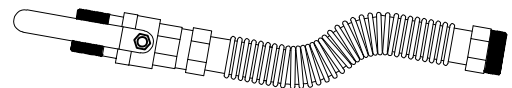
TF-1.5 for 1 1/2" Suction kit
or

TF-2 for 2" Suction kit

Tank Fitting Kit



Automatic Fill Valve
w/ Float Assembly (3/4")



27" Pump to Tank Suction Hose
w/Shut-off Valve

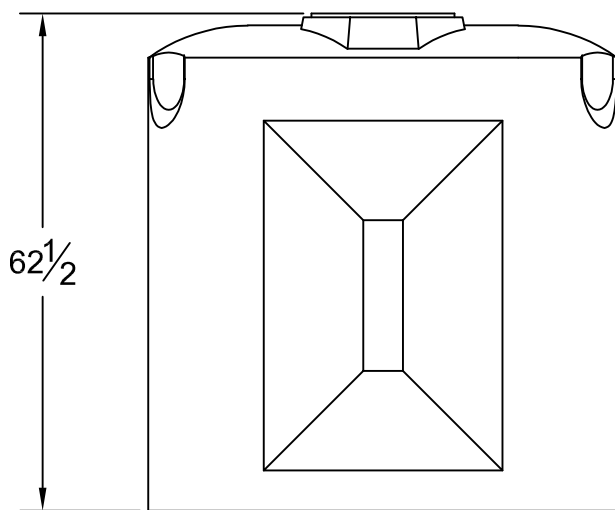
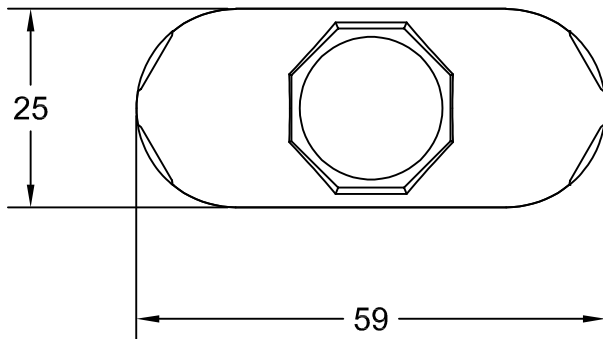
 Suction Bulkhead Fitting

 Overflow Bulkhead Fitting

Fitting Kit Drawing not to scale

Talco 300R

300 Gallon Rectangle
Poly Water Storage Tank



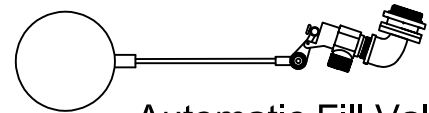
Tank Weight: 125#

Talco water storage tanks ship bare. For a tank with fitting kit order:

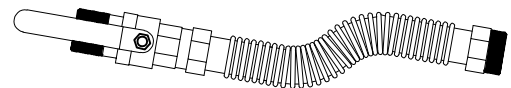
TF-1.5 for 1 1/2" Suction kit
or

TF-2 for 2" Suction kit

Tank Fitting Kit



Automatic Fill Valve
w/ Float Assembly (3/4")



27" Pump to Tank Suction Hose
w/Shut-off Valve

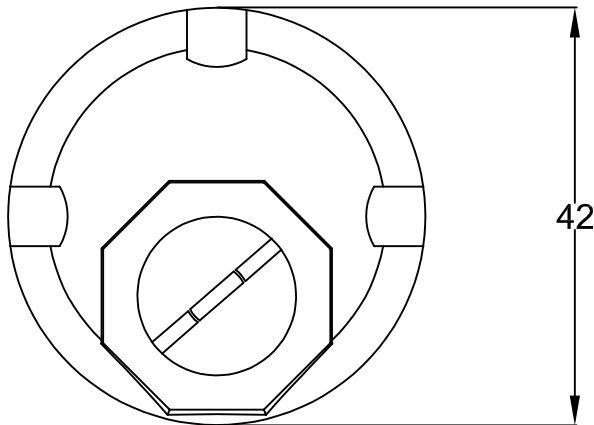
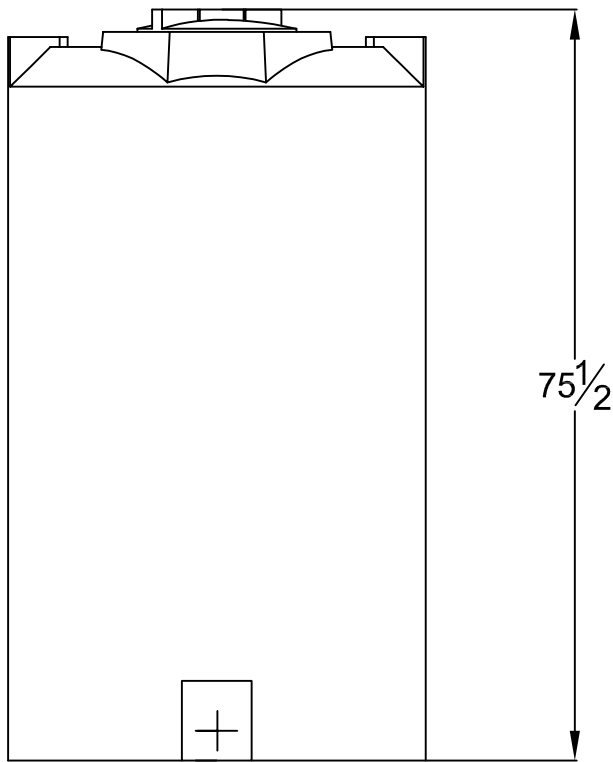
 Suction Bulkhead Fitting

 Overflow Bulkhead Fitting

Fitting Kit Drawing not to scale

Talco 400V

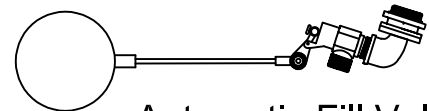
400 Gallon Vertical
Poly Water Storage Tank



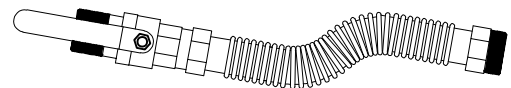
Tank Weight: 145#

Talco water storage tanks ship bare.
For a tank with fitting kit order:
TF-1.5 for 1 1/2" Suction kit
or
TF-2 for 2" Suction kit

Tank Fitting Kit



Automatic Fill Valve
w/ Float Assembly (3/4")



27" Pump to Tank Suction Hose
w/Shut-off Valve

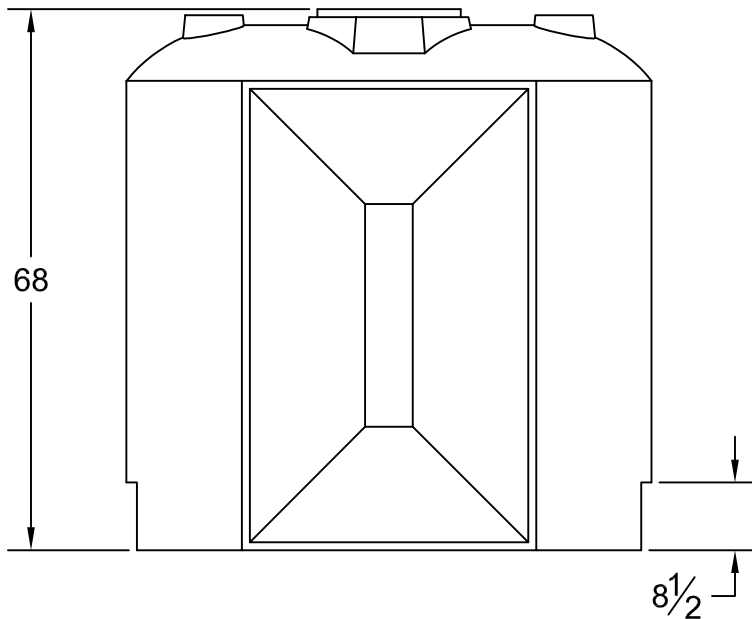
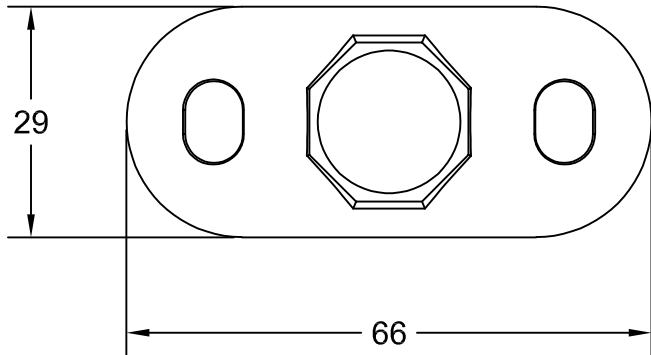
 Suction Bulkhead Fitting

 Overflow Bulkhead Fitting

Fitting Kit Drawing not to scale

Talco 400R

400 Gallon Rectangle
Poly Water Storage Tank



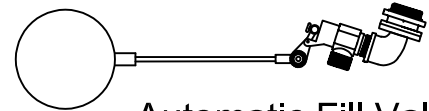
Tank Weight: 183#

Talco water storage tanks ship bare. For a tank with fitting kit order:

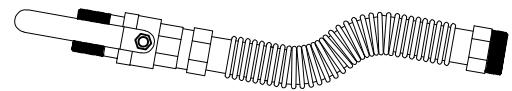
TF-1.5 for 1 1/2" Suction kit
or

TF-2 for 2" Suction kit

Tank Fitting Kit



Automatic Fill Valve
w/ Float Assembly (3/4")



27" Pump to Tank Suction Hose
w/Shut-off Valve

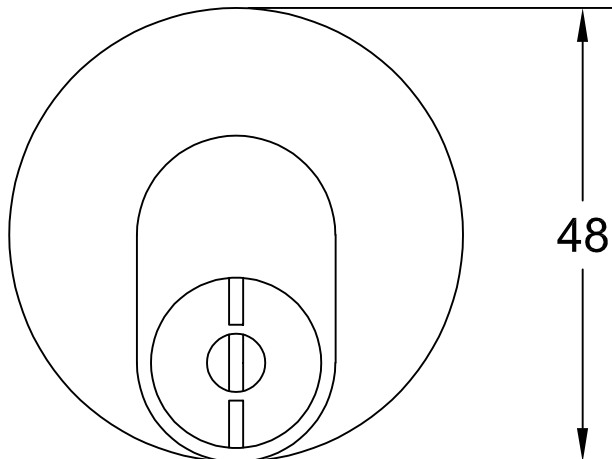
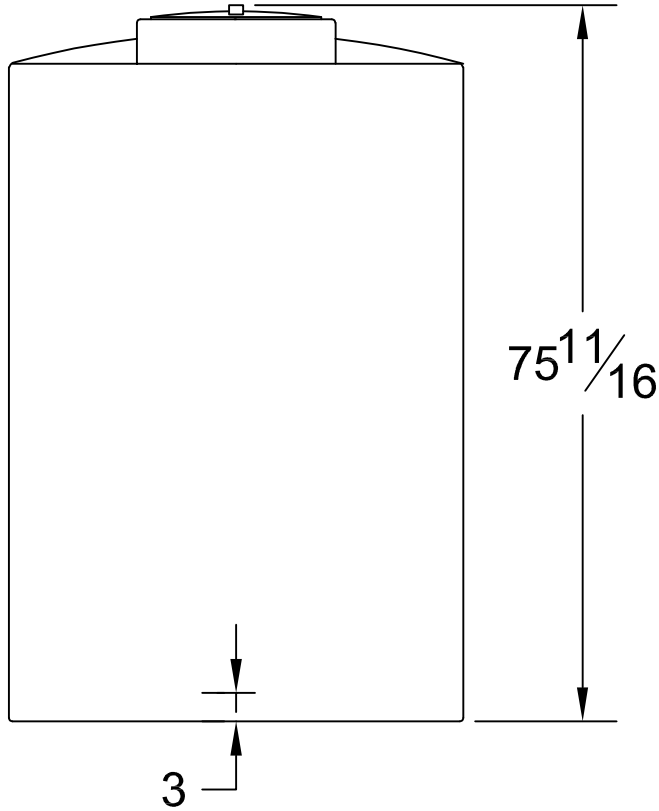
 Suction Bulkhead Fitting

 Overflow Bulkhead Fitting

Fitting Kit Drawing not to scale

Talco 500V

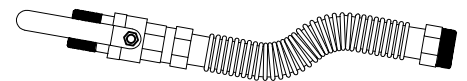
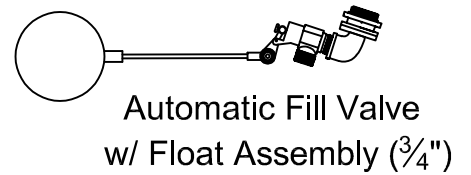
500 Gallon Vertical
Poly Water Storage Tank



Tank Weight: 150#

Talco water storage tanks ship bare.
For a tank with fitting kit order:
TF-1.5 for 1 1/2" Suction kit
or
TF-2 for 2" Suction kit

Tank Fitting Kit



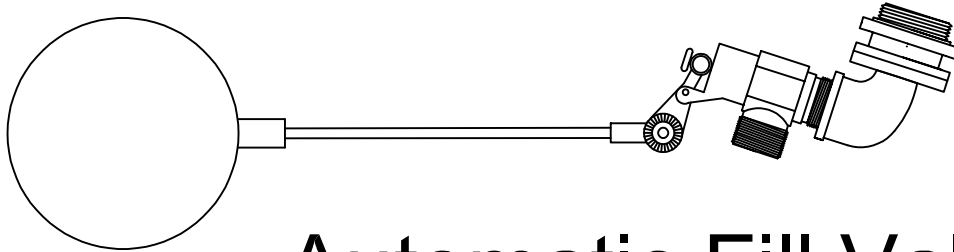
27" Pump to Tank Suction Hose
w/ Shut-off Valve

 Suction Bulkhead Fitting

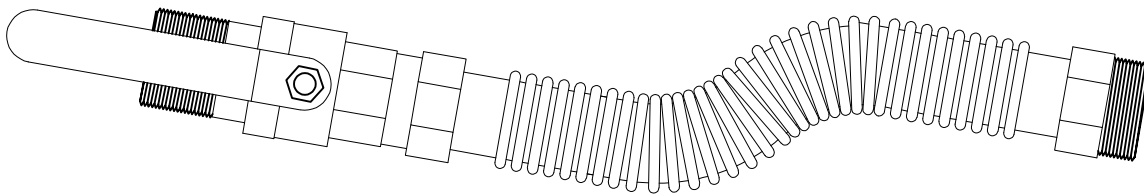
 Overflow Bulkhead Fitting

Fitting Kit Drawing not to scale

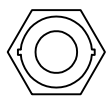
TF-1.5 Tank Fitting Kit



Automatic Fill Valve
w/ Float Assembly ($\frac{3}{4}$ ")



1 $\frac{1}{2}$ " x 27" Pump to Tank Suction
Hose w/Shut-off Valve



1 $\frac{1}{2}$ " Suction Bulkhead Fitting

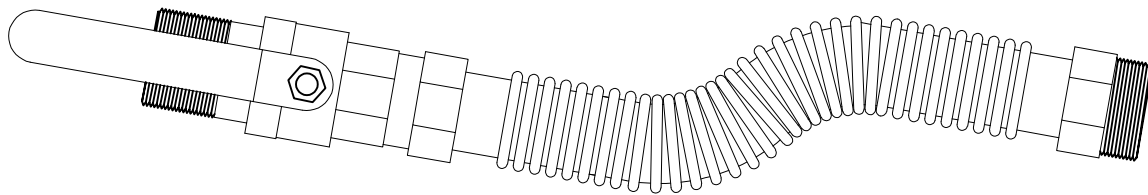


1" Overflow Bulkhead Fitting

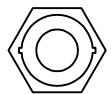
TF-2 Tank Fitting Kit



Automatic Fill Valve
w/ Float Assembly ($\frac{3}{4}$ ")



2" x 27" Pump to Tank Suction
Hose w/Shut-off Valve



2" Suction Bulkhead Fitting



1" Overflow Bulkhead Fitting