

HOME HYDRANT

FOR POTABLE WATER SYSTEMS

NFPA-13D Packaged Residential Fire Pump & Tank

U.S. Patents #8,678,032 & 8,905,069

HH4-PW+PT

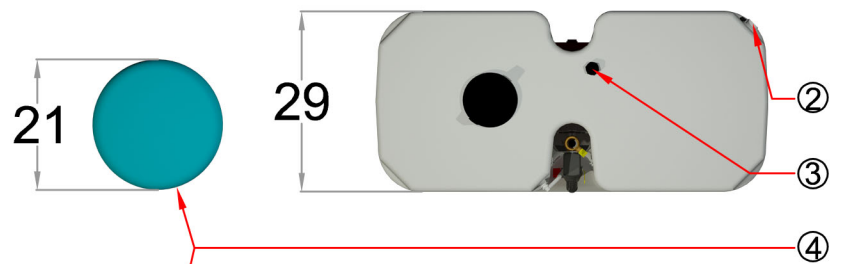
50GPM @ 50PSI

Included with Potable Water Systems -

- (1) Home Hydrant Tank and Stainless Steel Pump
- (1) PW Safe Discharge Manifold (no flow switch included)
- (1) 85 Gallon PW Safe Bladder Tank

450 Gallon Water Tank

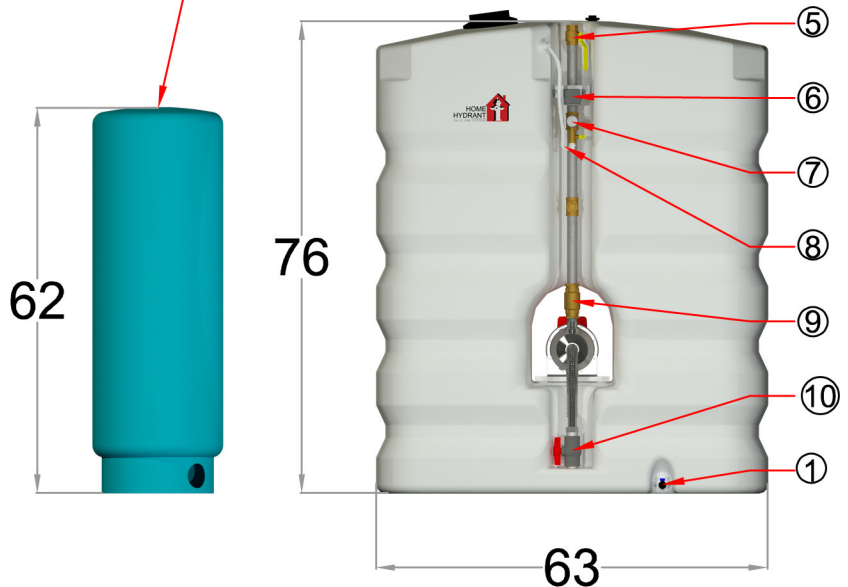
- ① Tank Drain 1/2"(GHT)
- ② Overflow Fitting 1"(FNPT)
- ③ Auto-Fill Valve 3/4"(FNPT)
- ④ 85 Gallon Bladder Tank



3HP Electric Motor
240 Volt Single-Phase
13 Amp (Full Load)

1 1/4" Discharge (FNPT)
Stainless Steel *Smart Riser*

- ⑤ Isolation Ball Valve
- ⑥ Pressure Switch
- ⑦ Pressure Gauge
- ⑧ Test Line/System Drain
- ⑨ Discharge Check Valve
- ⑩ Suction Shut-off Valve



Pump Performance

All dimensions inches.
Performance values based on multiple pump tests. Not for certification purposes.

GPM	0	25	30	35	40	45	50	55
PSI	59	57	55	54	53	51	50	49