

HOME HYDRANT

NFPA-13D Packaged Residential Fire Pump & Tank

U.S. Patents #8,678,032 & 8,905,069

HH2-150C

40GPM @ 40PSI

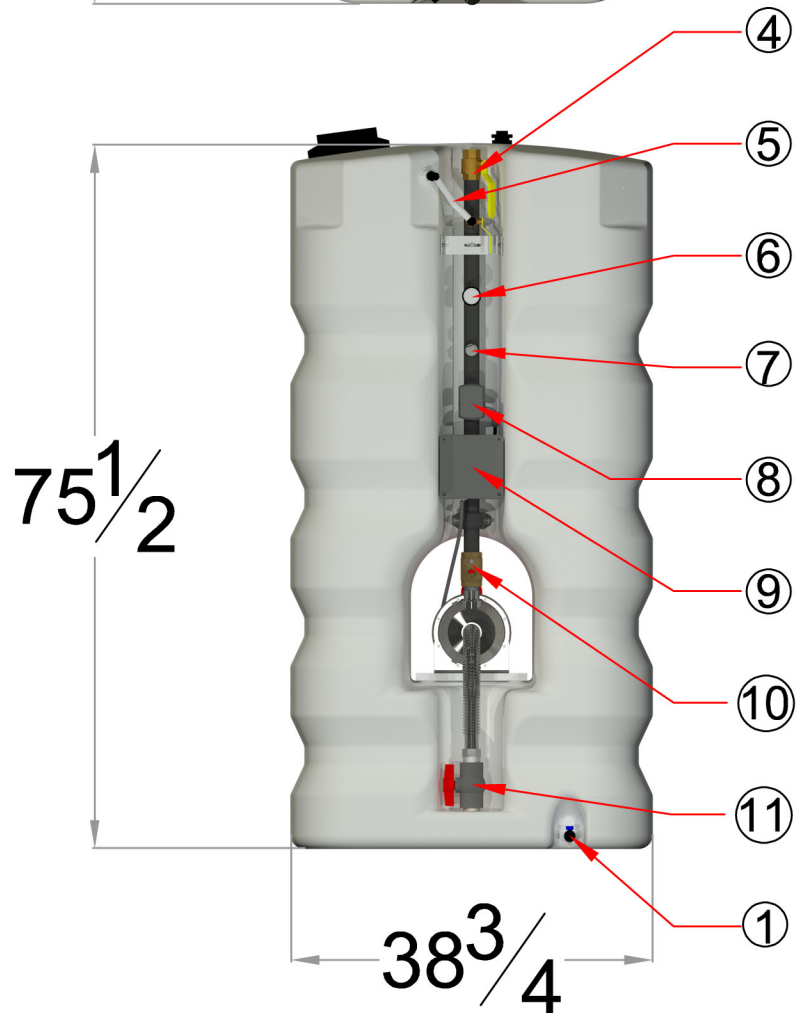
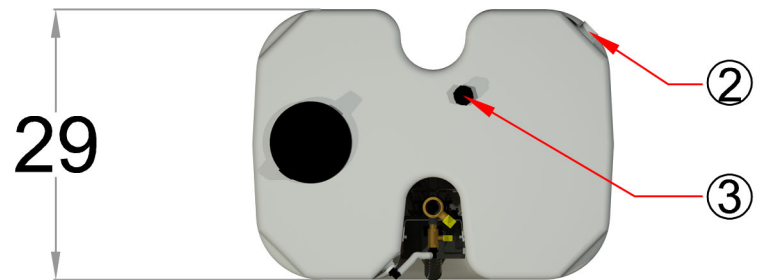
250 Gallon Water Tank

- ① Tank Drain $\frac{1}{2}$ "(GHT)
- ② Overflow Fitting 1"(NPT)
- ③ Auto-Fill Valve $\frac{3}{4}$ "(NPT)

1.5HP Electric Motor
240 Volt Single-Phase
8.1 Amp (Full Load)

1 $\frac{1}{4}$ " Discharge (NPT)
Smart Riser Control System

- ④ Isolation Ball Valve
- ⑤ Test Line/System Drain
- ⑥ Pressure Gauge
- ⑦ Flow Switch (Optional)
- ⑧ Pressure Switch
- ⑨ Run-Time Controller
- ⑩ Discharge Check Valve
- ⑪ Suction Shut-off Valve



Performance

Performance values based on multiple pump tests. Not for certification purposes.

GPM	0	20	25	30	35	40	45
PSI	47	45	44	43	41	40	39