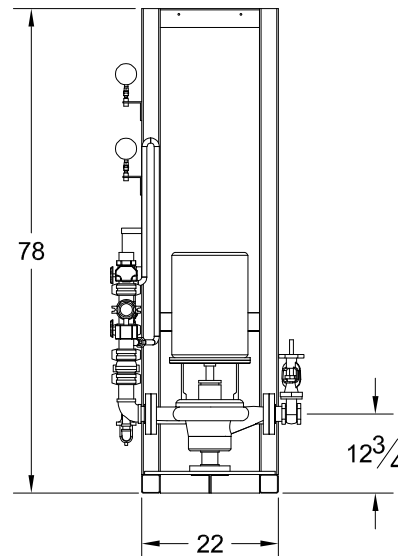
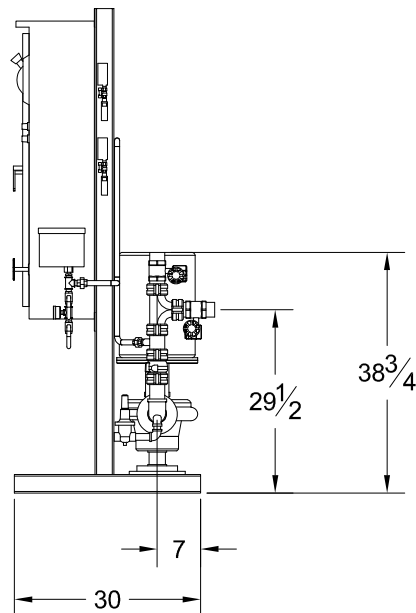
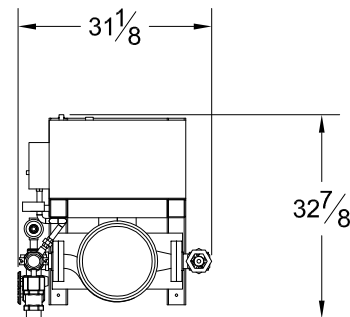
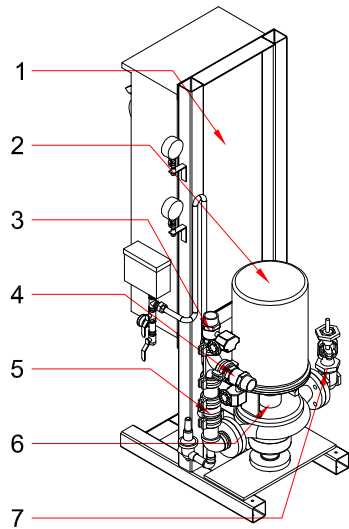


NFPA13R Packaged Fire Pump System UL/FM Fire Pump

13-ULV100-R

Compact Residential Package
Design Condition: 100GPM @ 80PSI



System Specifications:

- Motor
- 10 Horsepower Electric
 - 230 Volt, 46 Amp
 - Single Phase
 - 3450 RPM

- Pump
- UL/FM Vertical Inline Fire Pump
 - 2" Suction (FNPT)
 - 2" Discharge (Grooved)
 - 175 PSI max working pressure

System Components (UL Listed by Manufacturer)

- 1- Limited Service Fire Pump Controller
- 2- Electric Motor
- 3- Discharge Monitored Ball Valve
- 4- Test Connection Monitored Ball Valve
- 5- Check Valve
- 6- Vertical Inline Fire Pump
- 7- Suction OS&Y

Dimensions (Approximate)

- 33" Depth
- 78" Height
- 32" Width