

# ULR-750

w/Test Port, Flow Meter, Jockey Pump  
 Listed Fire Pump & Controller  
 NFPA-20 Compliant Packaged System

Controller: \_\_\_\_\_

Jockey Pump: \_\_\_\_\_

Jockey Controller: \_\_\_\_\_

Suction & Discharge: 6" Grooved Fittings

# 750GPM

4 x 6 - 13

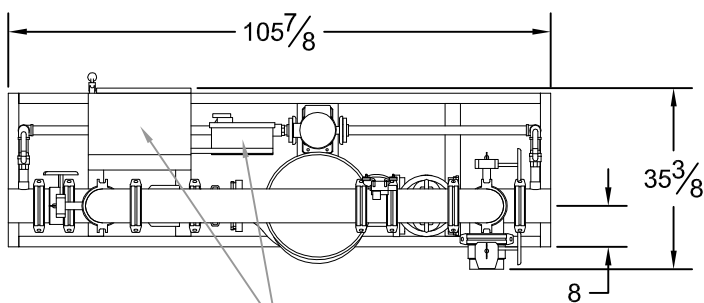
PSI (range)	Motor HP
54	40
55-65	50
66-75	60
76-84	75

DESIGN CONDITIONS			
_____	GPM	@	_____ PSI
_____	HP	V	_____ Phase

Project:	
Contractor:	
Date:	P.O.:

System Components	
1	OS&Y Gate Valve
2	Inline Pump & Motor
3	Check Valve
4	Test Port Connection
5	Monitored Butterfly
6	Flow Meter

Approximate ship weight: 2500#



Main Controller & Jockey Controller

