

ULR-250

w/Test Port, City By-Pass, Jockey Pump
 Listed Fire Pump & Controller
 NFPA-20 Compliant Packaged System

Controller: _____

Jockey Pump: _____

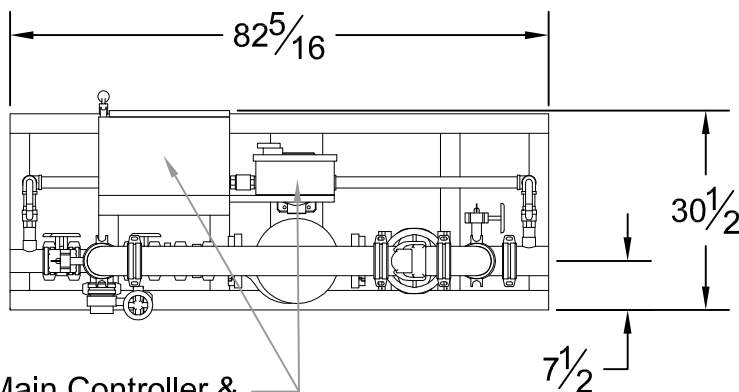
Jockey Controller: _____

Suction x Discharge: 4" x 3" Grooved Fittings

250GPM

3 x 3 - 7B

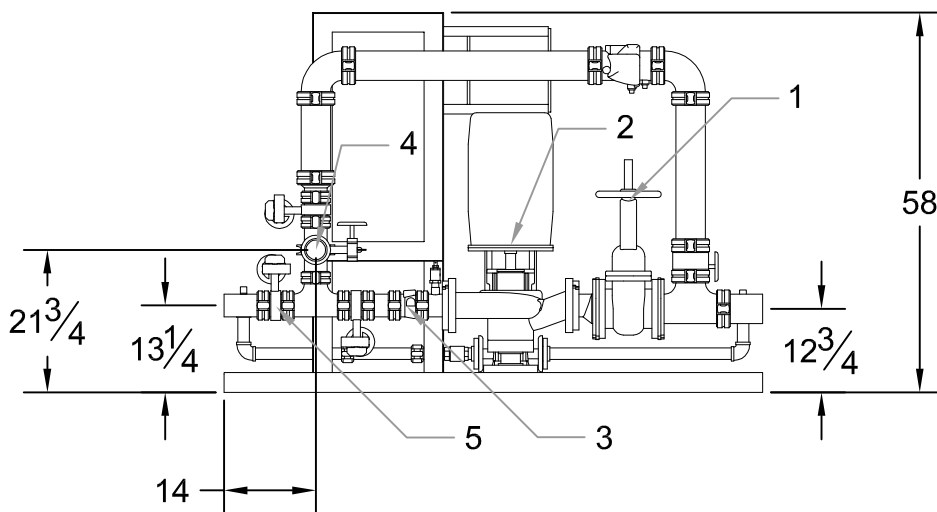
PSI (range)	Motor HP
40	10
41-60	15
61-65	20



Main Controller &
 Jockey Controller

DESIGN CONDITIONS	
_____ GPM @ _____ PSI	
_____ HP _____ V _____ Phase	

Project:	
Contractor:	
Date:	P.O.:



System Components	
1	OS&Y Gate Valve
2	Inline Pump & Motor
3	Check Valve
4	Test Port Connection
5	Monitored Butterfly

Approximate ship weight: < 1000#