

# LSF-500CIG

Compact Residential Package

60GPM @ 70PSI

## System Specifications

### Motor

- 5 horsepower electric
- 240 Volt, 21.5 Amp
- Single Phase
- 3450 RPM

### Pump

- High pressure cast iron volute
- Machined bronze impeller
- 2" Suction
- 1¼" Discharge
- 150 PSI Max Working Pressure

### Discharge Manifold

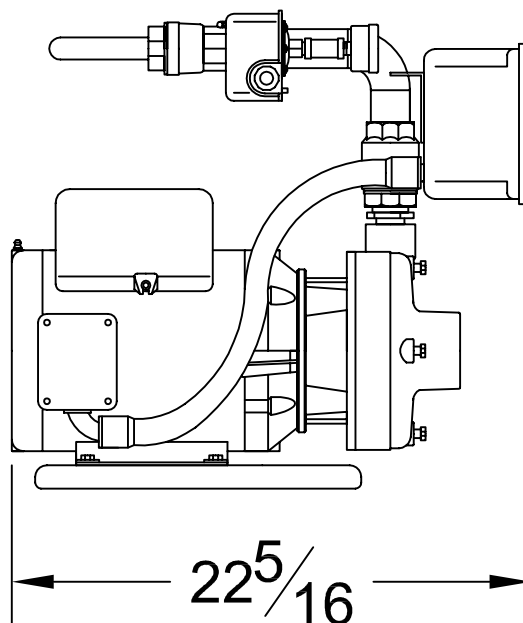
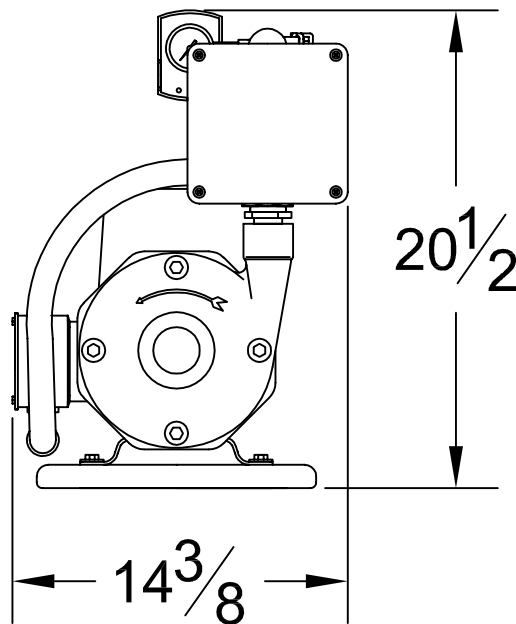
- Check Valve
- Zero to 100 PSI pressure gauge
- 40/60 pressure switch
- Isolation ball valve

### Controls

- 240 Volt
- Minimum run timer
- Pressure switch operated contactor
- HOA toggle switch (Hand, Off, Auto)

### Dimensions (approximate)

- 22<sup>5</sup>/<sub>16</sub>" Length
- 20<sup>1</sup>/<sub>2</sub>" Height
- 14<sup>3</sup>/<sub>8</sub>" Width
- 135 pounds



## Performance

Performance values based on multiple pump tests. Not for certification purposes.

GPM	0	20	30	40	50	60	70
PSI	85	83	81	79	75	71	66