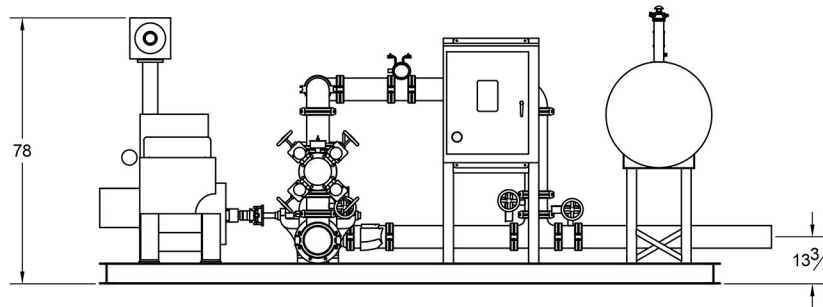
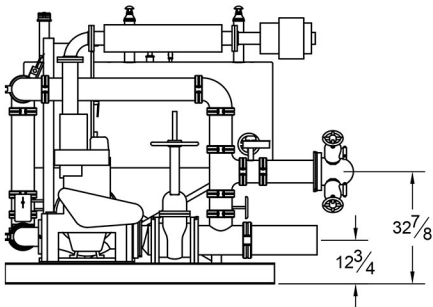
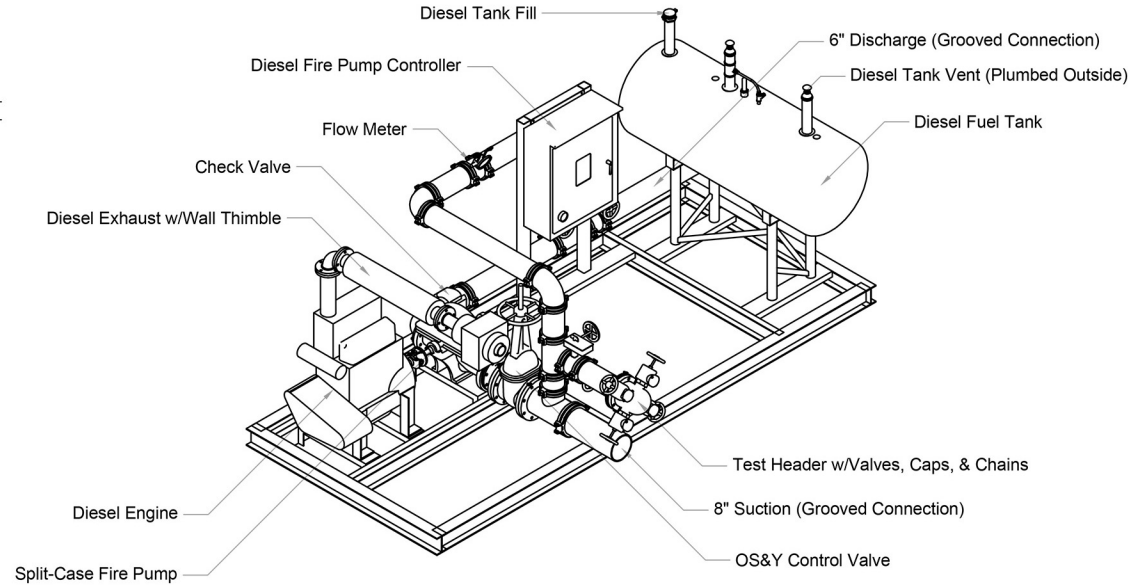
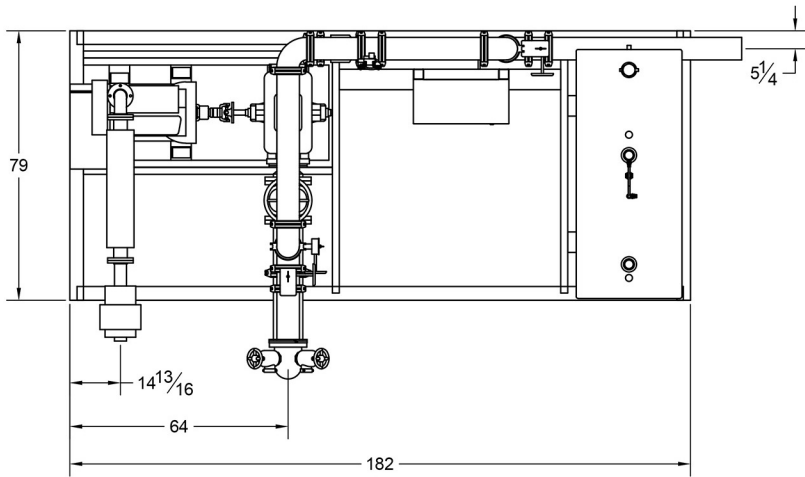


## NFPA-20 Packaged Fire Pump System



- Diesel Engine:
  - Clarke JU4H-UF58
- Diesel Pump:
  - Aurora 5-481-15
- Jockey Pump:
  - Goulds SVBK
- Diesel Controller:
  - Metron FD4
- Fuel Tank:
  - 165 Gallon Double Wall

### DESIGN CONDITIONS

1500 GPM @ 85 PSI  
110 HP 1760 RPM