

ULR-750

w/Test Port, City By-Pass, Jockey Pump
 Listed Fire Pump & Controller
 NFPA-20 Compliant Packaged System

Controller: _____

Jockey Pump: _____

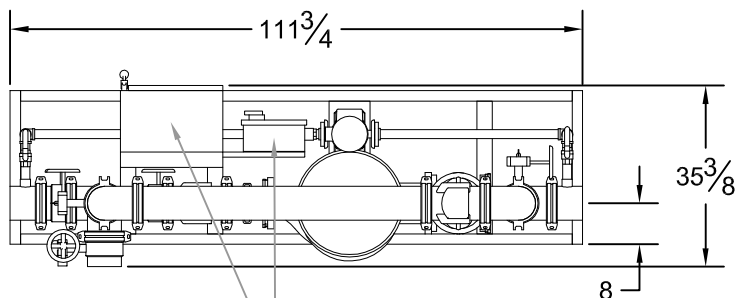
Jockey Controller: _____

Suction & Discharge: 6" Grooved Fittings

750GPM

4 x 6 - 13

PSI (range)	Motor HP
54	40
55-65	50
66-75	60
76-84	75



Main Controller &
 Jockey Controller

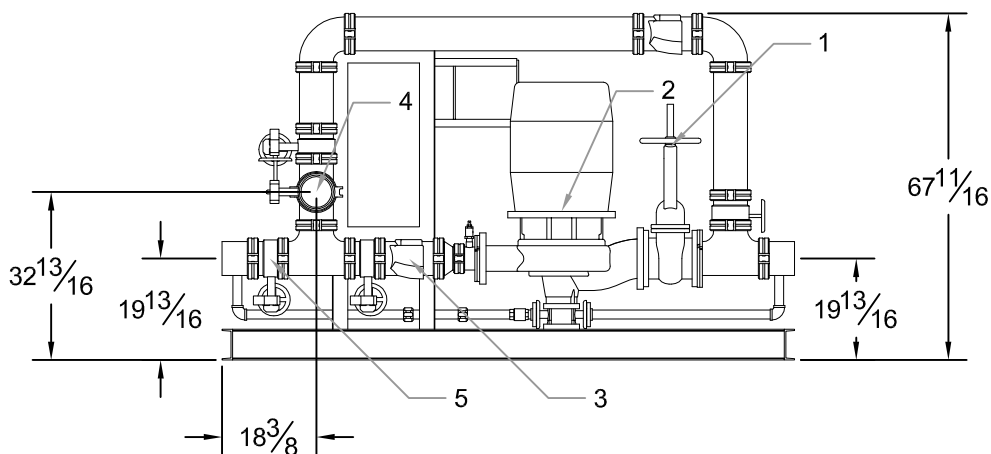
DESIGN CONDITIONS

_____ GPM @ _____ PSI
 _____ HP _____ V _____ Phase

Project: _____

Contractor: _____

Date: _____ P.O.: _____



System Components

1	OS&Y Gate Valve
2	Inline Pump & Motor
3	Check Valve
4	Test Port Connection
5	Monitored Butterfly

Approximate ship weight: 2500#