

ULR-150

w/Flow Meter, Jockey Pump
Listed Fire Pump & Controller
NFPA-20 Compliant Packaged System

Controller: _____

Jockey Pump: _____

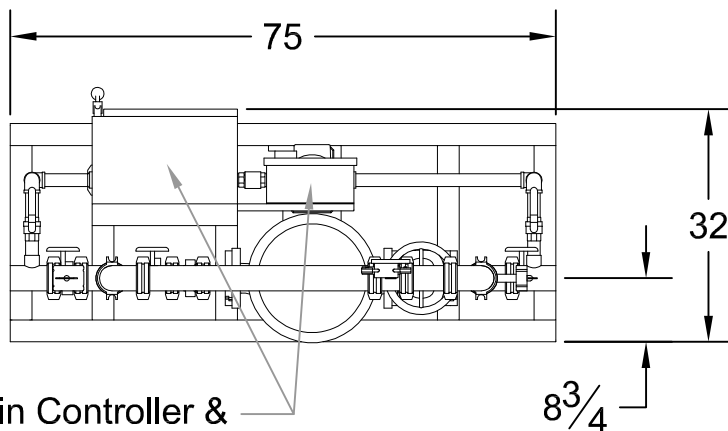
Jockey Controller: _____

Suction x Discharge: 3" x 3" Grooved Fittings

150GPM

3 x 3 - 9A

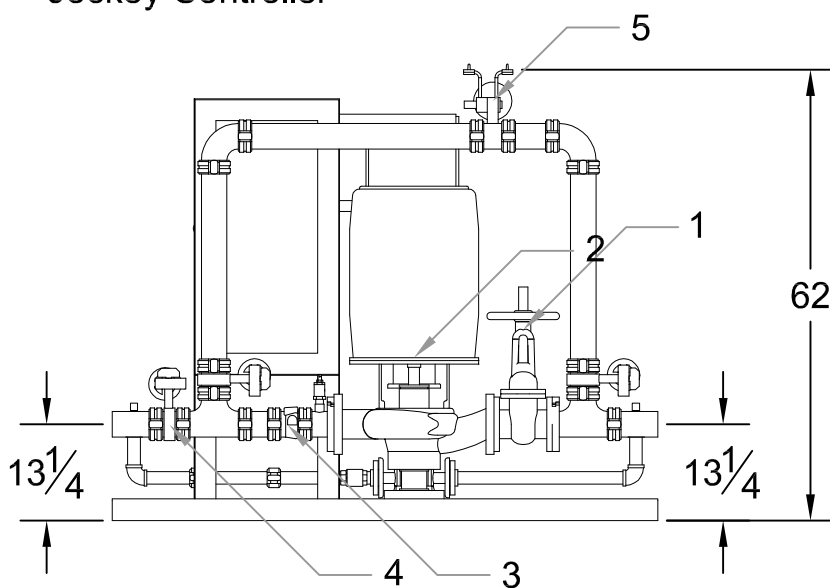
PSI (range)	Motor HP
61-75	15
76-100	20
101-115	25
116-125	30
126-155	40
156-160	50



Main Controller & Jockey Controller

DESIGN CONDITIONS			
_____	GPM @ _____	PSI	
_____	HP _____	V _____	Phase

Project:	
Contractor:	
Date:	P.O.:



System Components	
1	OS&Y Gate Valve
2	Inline Pump & Motor
3	Check Valve
4	Monitored Butterfly
5	Flow Meter

Approximate ship weight: < 1200#