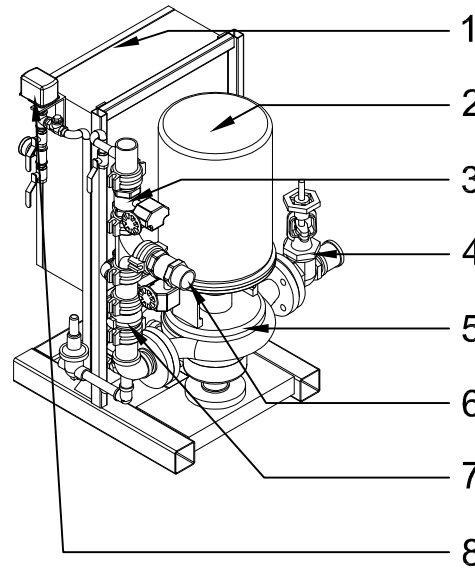
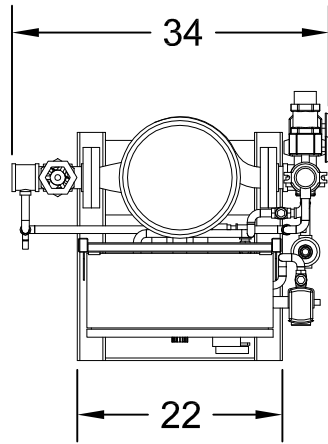




### NFPA13R Packaged Fire Pump System UL/FM Fire Pump with Jockey Pump

# 13-ULV50-R

Compact Residential Package  
Design Condition: 50GPM @ 95PSI



#### System Specifications:

- Motor
- 10 Horsepower Electric
- 230 Volt, 46 Amp
- Single Phase
- 3450 RPM

- Pump
- UL/FM Vertical Inline Fire Pump
- 2" Suction (FNPT)
- 2" Discharge (Grooved)
- 175 PSI max working pressure

#### System Components (UL Listed by Manufacturer)

- 1- Limited Service Fire Pump Controller
- 2- Electric Motor
- 3- Discharge Monitored Ball Valve
- 4- Suction OS&Y
- 5- Vertical Inline Fire Pump
- 6- Test Connection Monitored Ball Valve
- 7- Check Valve
- 8- Pressure Switch (Jockey Control)

#### Dimensions (Approximate)

- 29" Depth
- 44" Height
- 34" Width

### Jockey Pump & Controls

