

ULR-500

w/Test Port, Flow Meter, Jockey Pump
Listed Fire Pump & Controller
NFPA-20 Compliant Packaged System

Controller: _____

Jockey Pump: _____

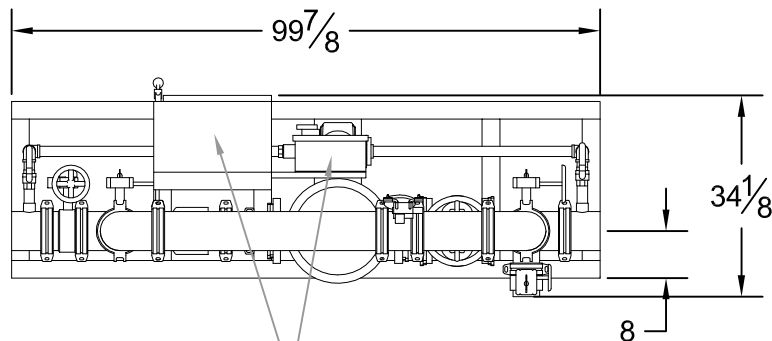
Jockey Controller: _____

Suction & Discharge: 6" Grooved Fittings

500GPM

4 x 5 - 9B & 4 x 5 - 9C

PSI (range)	Motor HP
72-75	30
76-100	40
101-120	50
121-130	60



Main Controller &
Jockey Controller

DESIGN CONDITIONS

_____ GPM @ _____ PSI
_____ HP _____ V _____ Phase

Project: _____

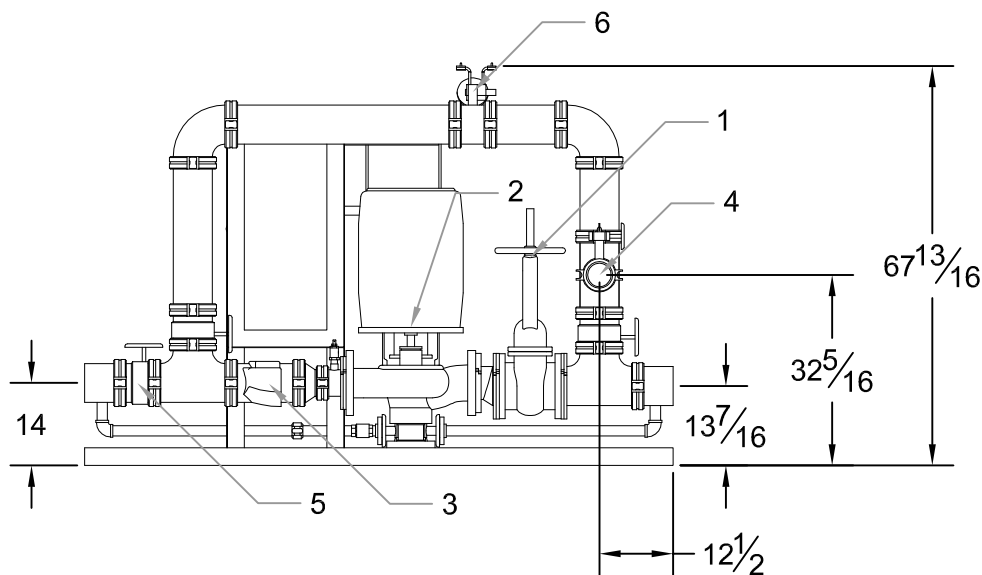
Contractor: _____

Date: _____

P.O.: _____

System Components

1	OS&Y Gate Valve
2	Inline Pump & Motor
3	Check Valve
4	Test Port Connection
5	Monitored Butterfly
6	Flow Meter



Approximate ship weight: < 1800#