

ULR-300

w/Flow Meter, Jockey Pump
Listed Fire Pump & Controller
NFPA-20 Compliant Packaged System

Controller: _____

Jockey Pump: _____

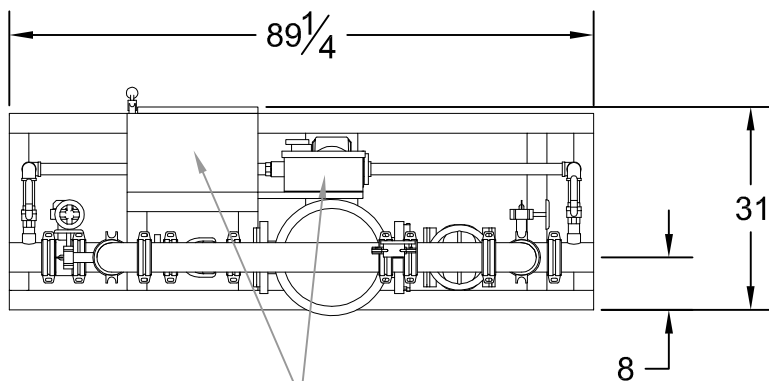
Jockey Controller: _____

Suction x Discharge: 4" x 4" Grooved Fittings

300GPM

4 x 5 - 9 & 4 x 5 - 9B

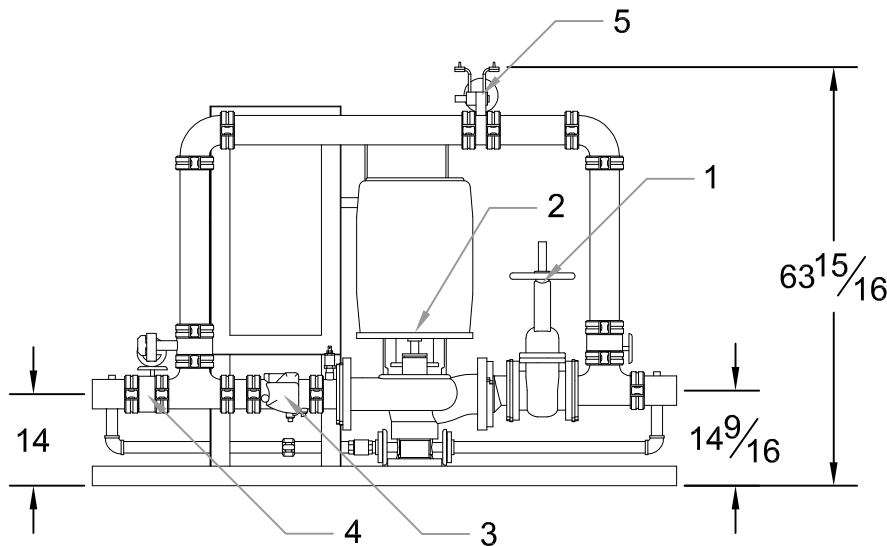
PSI (range)	Motor HP
74-85	25
86-95	30
96-115	40
116-125	50
126-139	60



Main Controller &
Jockey Controller

DESIGN CONDITIONS	
_____ GPM @ _____ PSI	
_____ HP _____ V _____ Phase	

Project:	
Contractor:	
Date:	P.O.:



System Components	
1	OS&Y Gate Valve
2	Inline Pump & Motor
3	Check Valve
4	Monitored Butterfly
5	Flow Meter

Approximate ship weight: < 1500#