

ULR-300

w/Flow Meter, Jockey Pump
Listed Fire Pump & Controller
NFPA-20 Compliant Packaged System

Controller: _____

Jockey Pump: _____

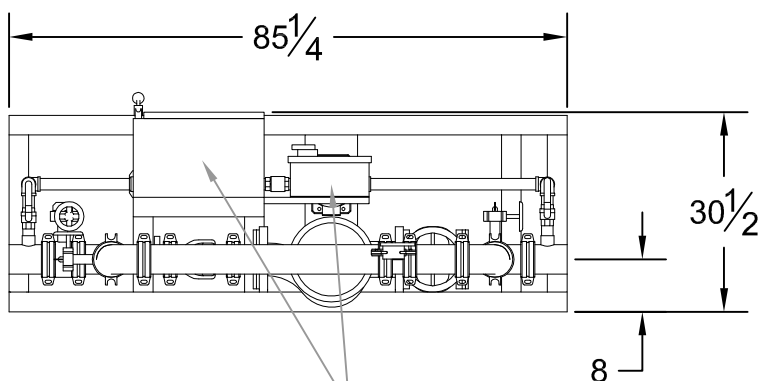
Jockey Controller: _____

Suction x Discharge: 4" x 4" Grooved Fittings

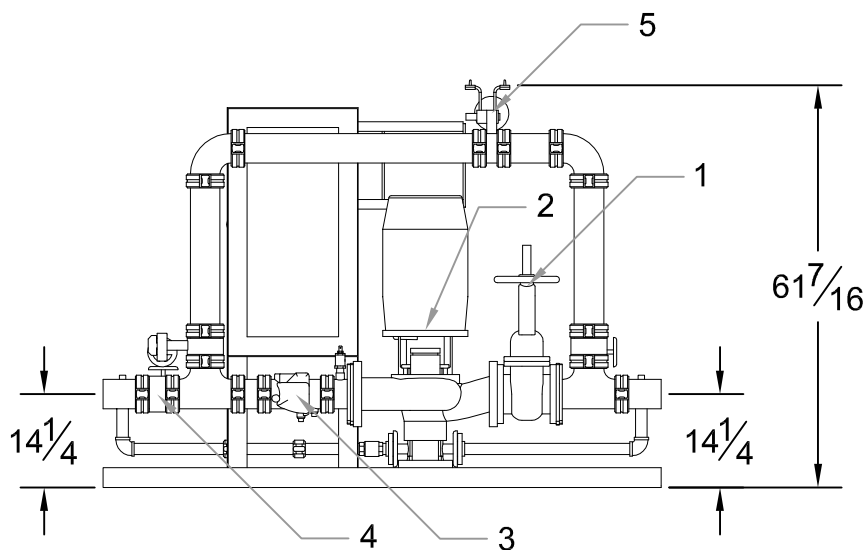
300GPM

4 x 4 - 7B

PSI (range)	Motor HP
42-45	15
46-55	20
56-65	25
66-73	30



Main Controller &
Jockey Controller



DESIGN CONDITIONS

_____ GPM @ _____ PSI
_____ HP _____ V _____ Phase

Project: _____

Contractor: _____

Date: _____ P.O.: _____

System Components

1	OS&Y Gate Valve
2	Inline Pump & Motor
3	Check Valve
4	Monitored Butterfly
5	Flow Meter

Approximate ship weight: < 1200#