

ULR-200

w/Test Port, Jockey Pump
Listed Fire Pump & Controller
NFPA-20 Compliant Packaged System

Controller: _____

Jockey Pump: _____

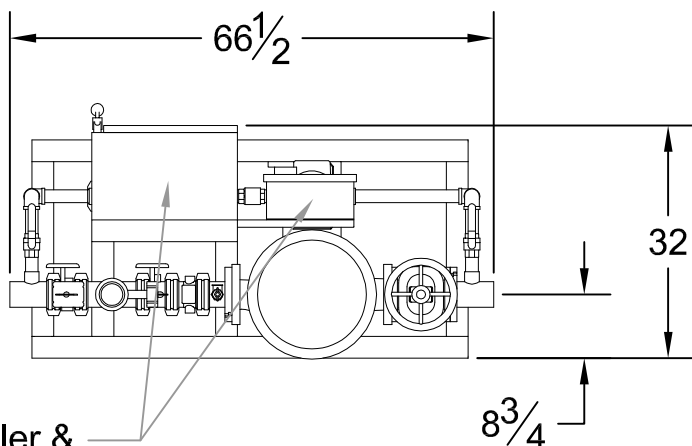
Jockey Controller: _____

Suction x Discharge: 3" x 3" Grooved Fittings

200GPM

3 x 3 - 9A

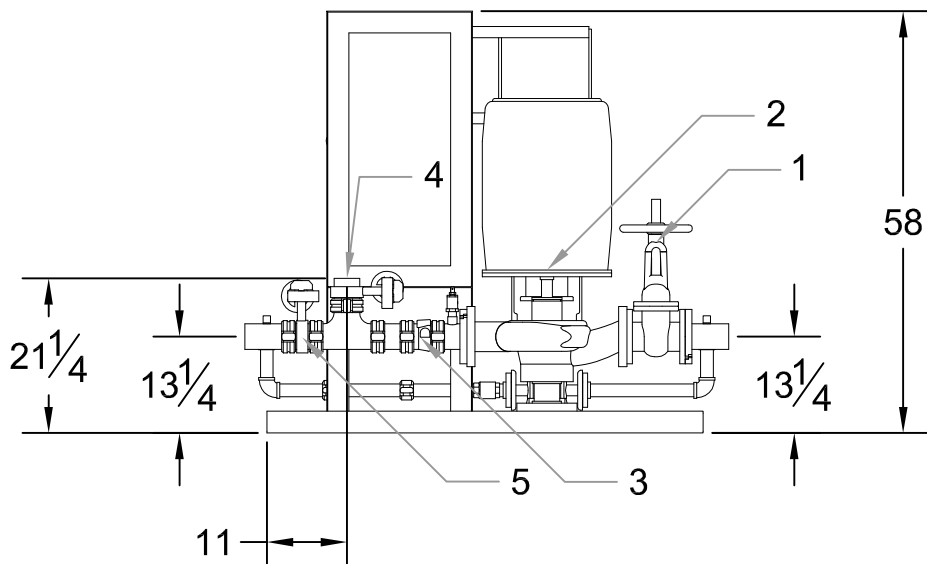
PSI (range)	Motor HP
55-75	15
76-100	20
101-115	25
116-125	30
126-155	40
156-159	50



Main Controller & Jockey Controller

DESIGN CONDITIONS	
_____ GPM @ _____ PSI	_____ HP _____ V _____ Phase

Project:	
Contractor:	
Date:	P.O.:



System Components	
1	OS&Y Gate Valve
2	Inline Pump & Motor
3	Check Valve
4	Test Port Connection
5	Monitored Butterfly

Approximate ship weight: < 1200#