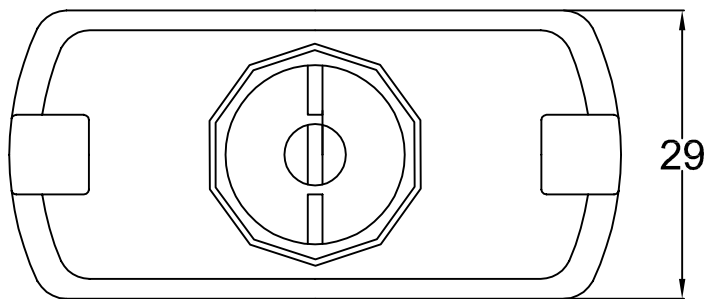
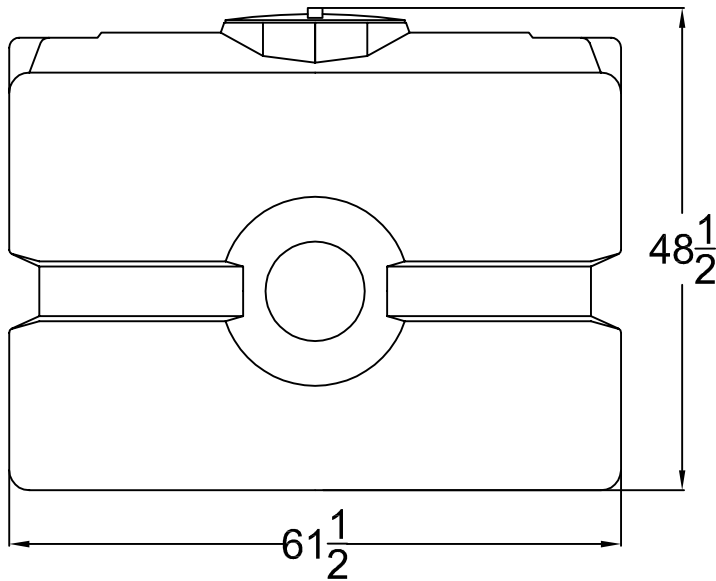


Talco 300R

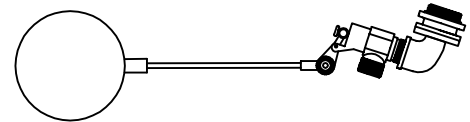
300 Gallon Rectangle
Poly Water Storage Tank



Tank Weight: 150#

Talco water storage tanks ship bare.
For a tank with fitting kit order:
TF-1.5 for 1 1/2" Suction kit
or
TF-2 for 2" Suction kit

Tank Fitting Kit



Automatic Fill Valve
w/ Float Assembly (3/4")



27" Pump to Tank
Suction Hose
w/ Shut-off Valve

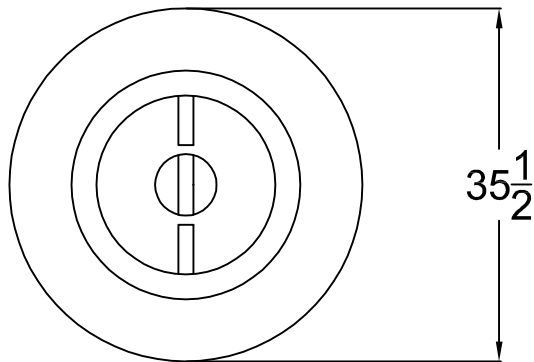
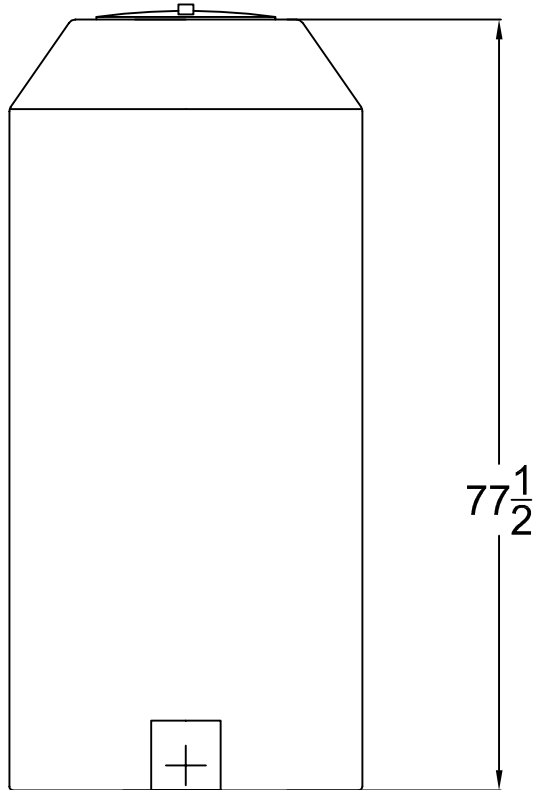
 Suction Bulkhead Fitting

 Overflow Bulkhead Fitting

Fitting Kit Drawing not to scale

Talco 300V

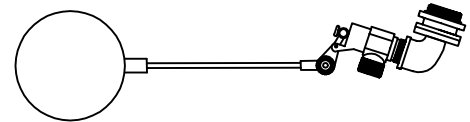
300 Gallon Vertical
Poly Water Storage Tank



Tank Weight: 100#

Talco water storage tanks ship bare.
For a tank with fitting kit order:
TF-1.5 for 1 1/2" Suction kit
or
TF-2 for 2" Suction kit

Tank Fitting Kit



Automatic Fill Valve
w/ Float Assembly (3/4")



27" Pump to Tank
Suction Hose
w/ Shut-off Valve

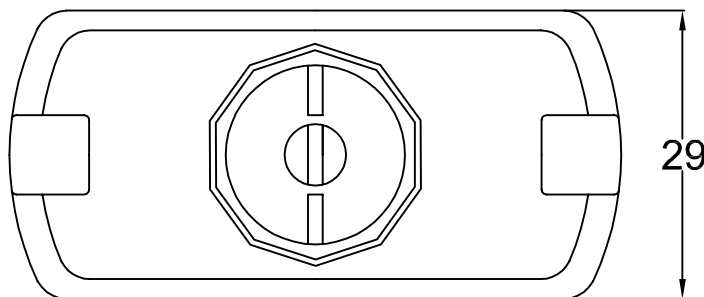
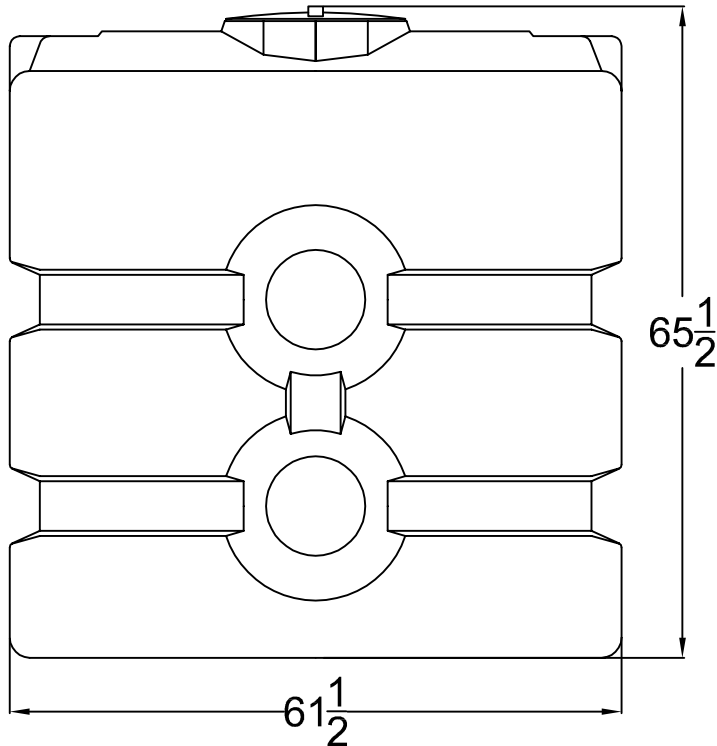
 Suction Bulkhead Fitting

 Overflow Bulkhead Fitting

Fitting Kit Drawing not to scale

Talco 400R

400 Gallon Rectangle
Poly Water Storage Tank



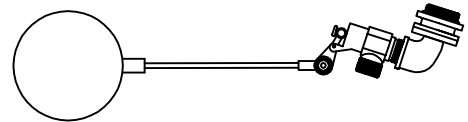
Tank Weight: 180#

Talco water storage tanks ship bare.
For a tank with fitting kit order:

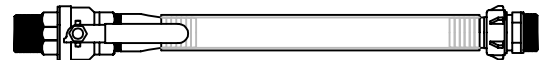
TF-1.5 for 1 1/2" Suction kit
or

TF-2 for 2" Suction kit

Tank Fitting Kit



Automatic Fill Valve
w/ Float Assembly (3/4")



27" Pump to Tank
Suction Hose
w/ Shut-off Valve

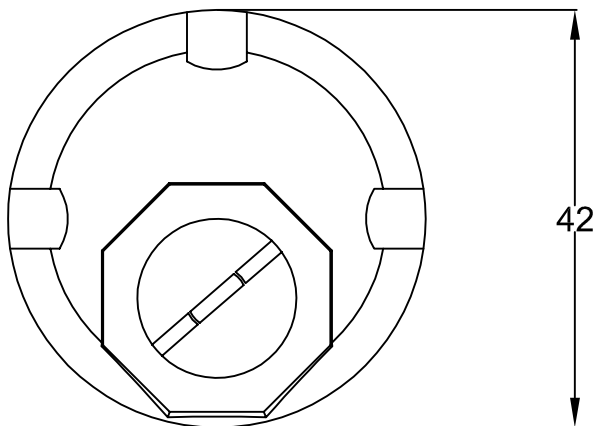
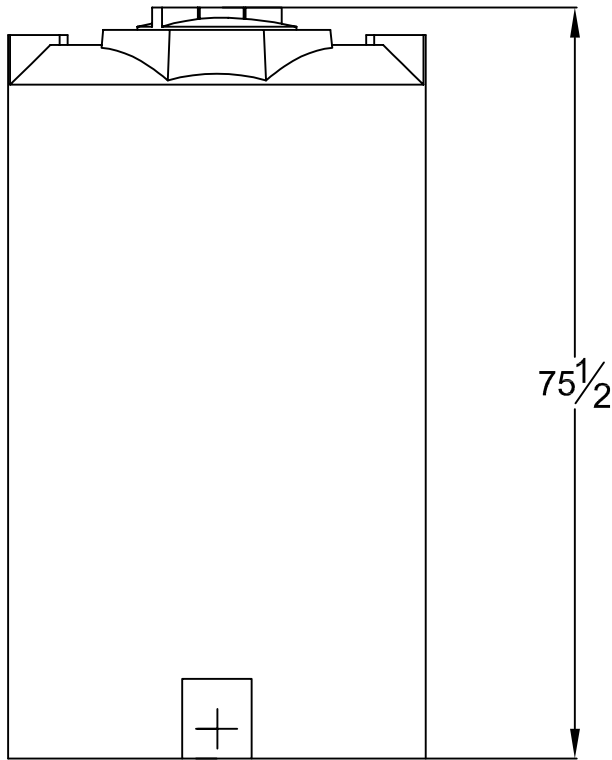
 Suction Bulkhead Fitting

 Overflow Bulkhead Fitting

Fitting Kit Drawing not to scale

Talco 400V

400 Gallon Vertical
Poly Water Storage Tank



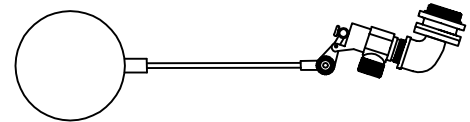
Tank Weight: 145#

Talco water storage tanks ship bare.
For a tank with fitting kit order:

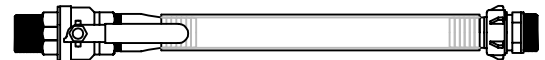
TF-1.5 for 1 1/2" Suction kit
or

TF-2 for 2" Suction kit

Tank Fitting Kit



Automatic Fill Valve
w/ Float Assembly (3/4")



27" Pump to Tank
Suction Hose
w/ Shut-off Valve

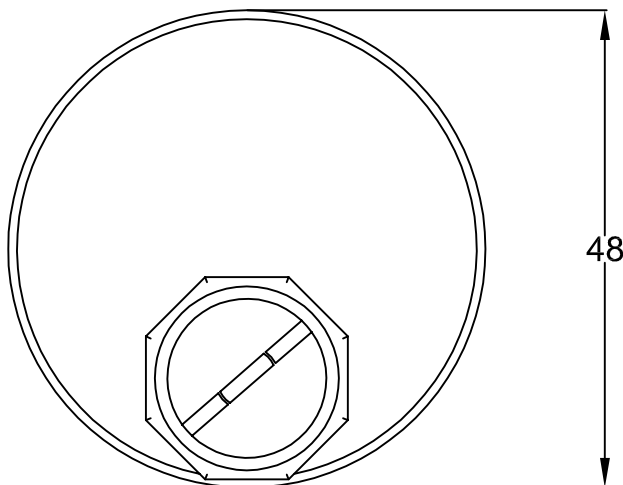
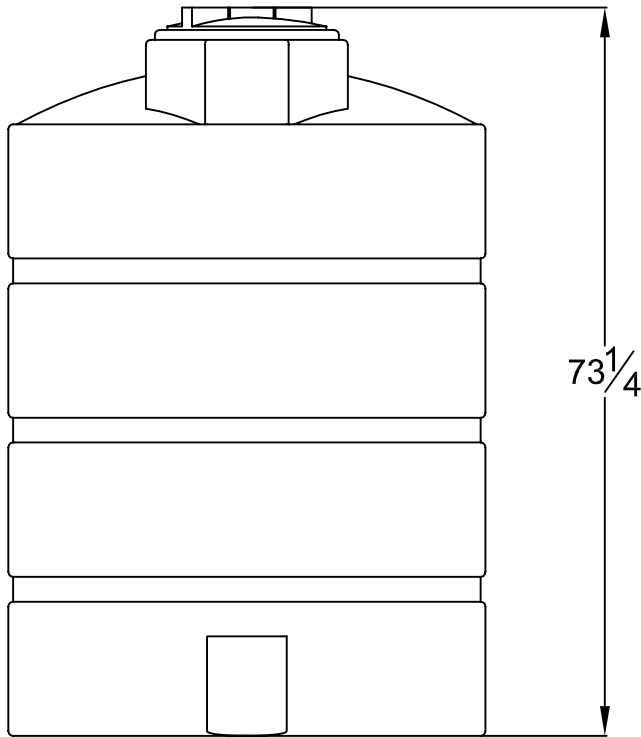
 Suction Bulkhead Fitting

 Overflow Bulkhead Fitting

Fitting Kit Drawing not to scale

Talco 500V

500 Gallon Vertical
Poly Water Storage Tank



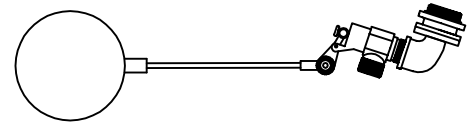
Tank Weight: 150#

Talco water storage tanks ship bare.
For a tank with fitting kit order:

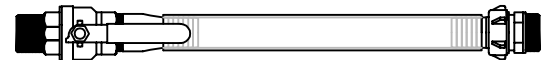
TF-1.5 for 1 1/2" Suction kit
or

TF-2 for 2" Suction kit

Tank Fitting Kit



Automatic Fill Valve
w/ Float Assembly (3/4")



27" Pump to Tank
Suction Hose
w/ Shut-off Valve



Suction Bulkhead Fitting

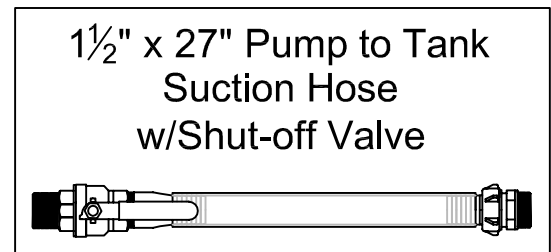
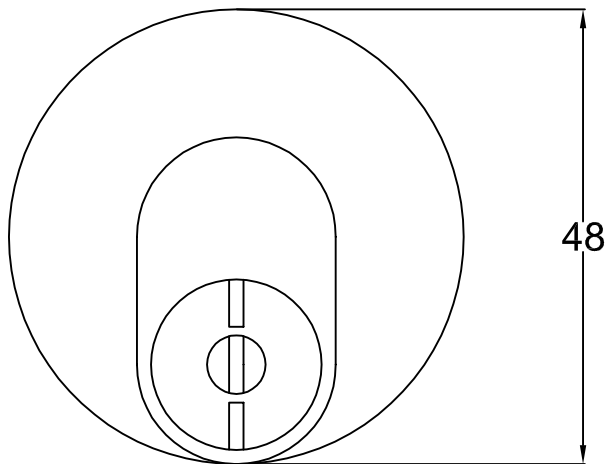
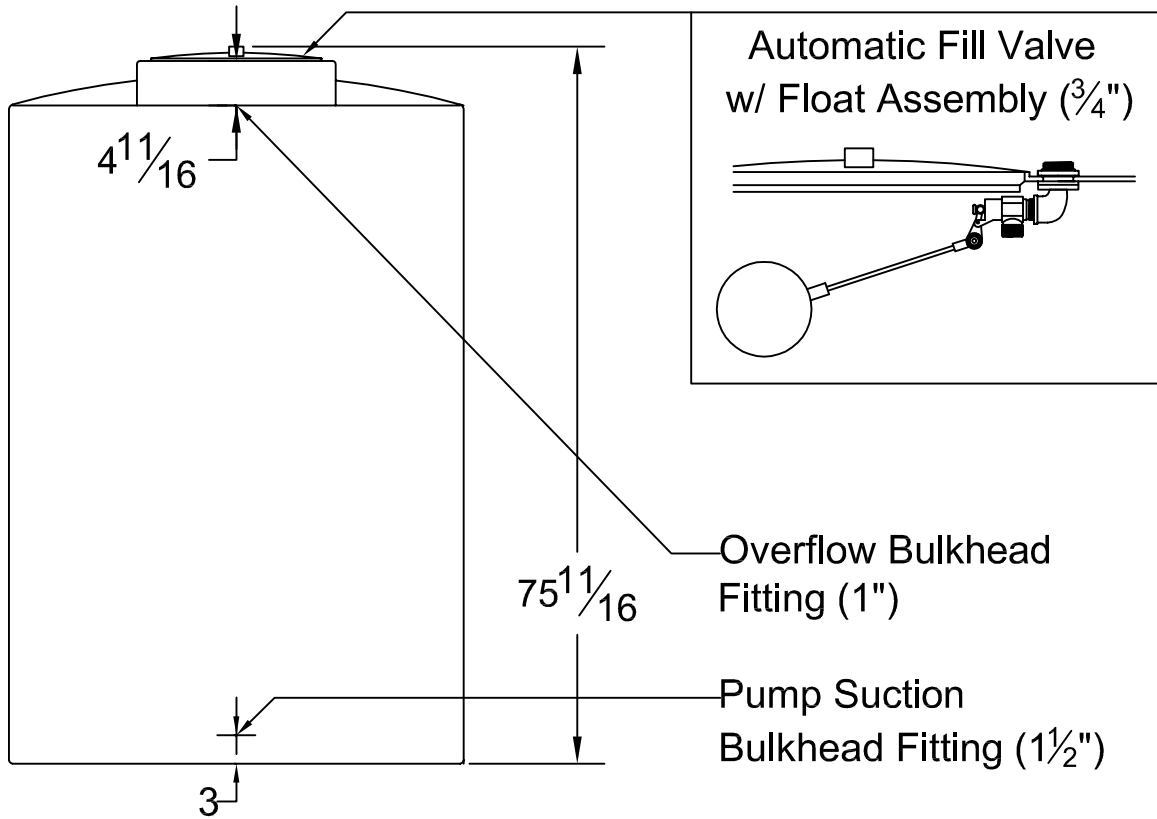


Overflow Bulkhead Fitting

Fitting Kit Drawing not to scale

Talco 550V

550 Gallon Vertical
Poly Water Storage Tank

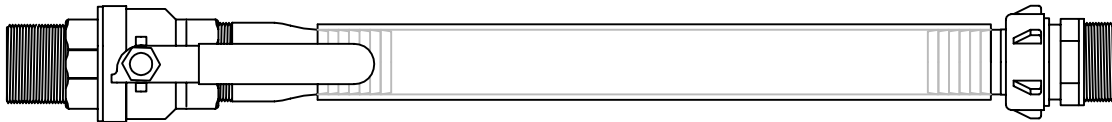


Tank Weight: 150#

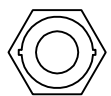
Tank Fitting Kit TF-1.5



Automatic Fill Valve
w/ Float Assembly ($\frac{3}{4}$ ")



$1\frac{1}{2}$ " x 27" Pump to Tank
Suction Hose
w/Shut-off Valve



$1\frac{1}{2}$ " Suction Bulkhead Fitting

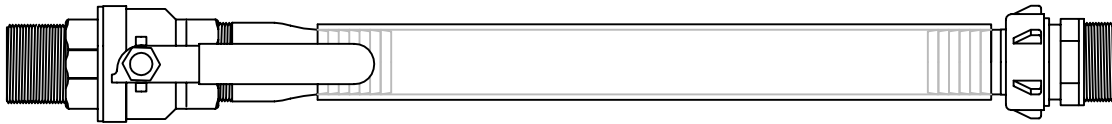


1" Overflow Bulkhead Fitting

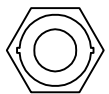
Tank Fitting Kit TF-2



Automatic Fill Valve
w/ Float Assembly ($\frac{3}{4}$ ")



2" x 27" Pump to Tank
Suction Hose
w/Shut-off Valve



2" Suction Bulkhead Fitting



1" Overflow Bulkhead Fitting

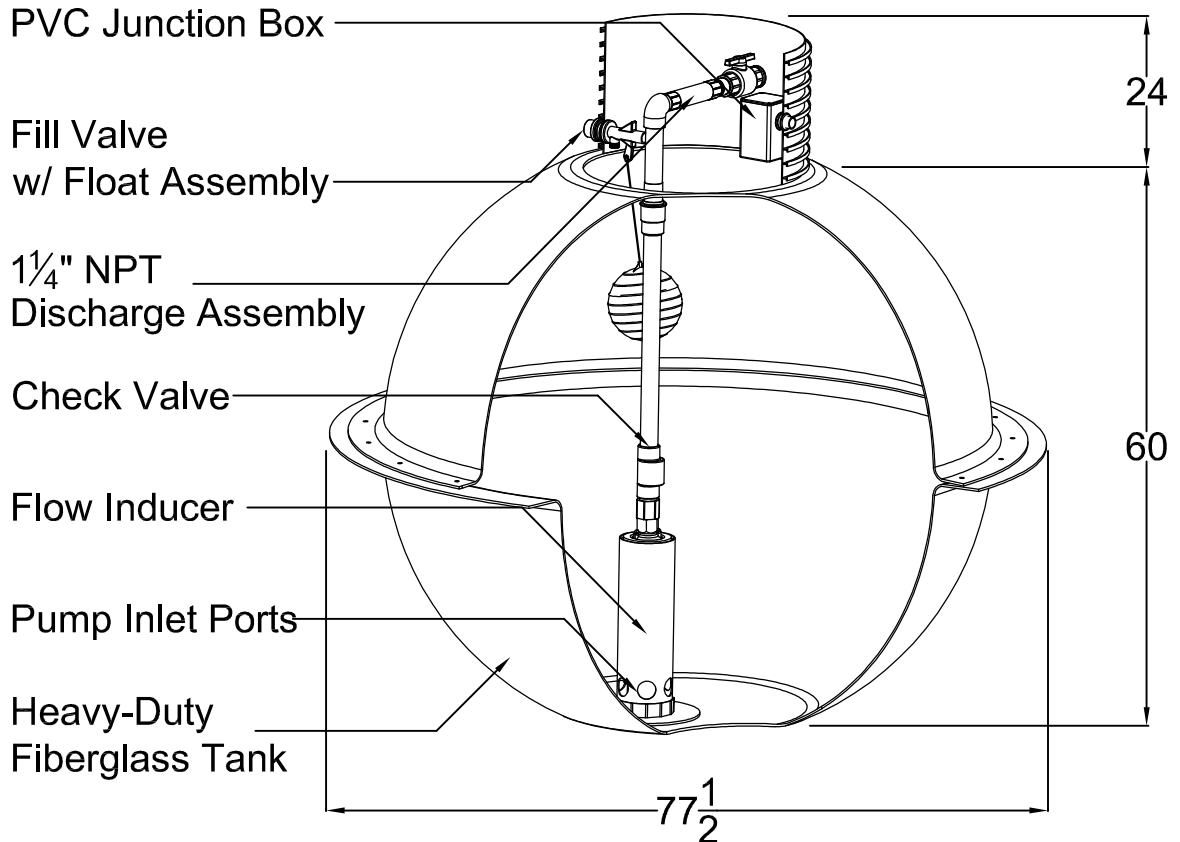
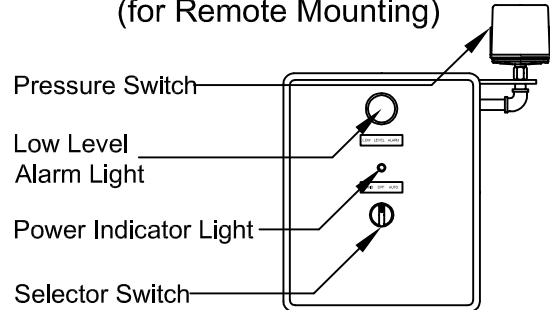
UG-50

Residential Underground
Packaged Fire Pump System
50GPM @ 75PSI

-3 HP 230V Single Phase

-350# System Ship Weight

TALCO Deluxe Controller w/ Low Level Alarm (for Remote Mounting)



-All dimensions inches-